



# rxw - a soft roce linux driver

Bob Pearson

System Fabric Works

# Agenda

- Goals
- Applications
- Architecture
- Performance
- Status

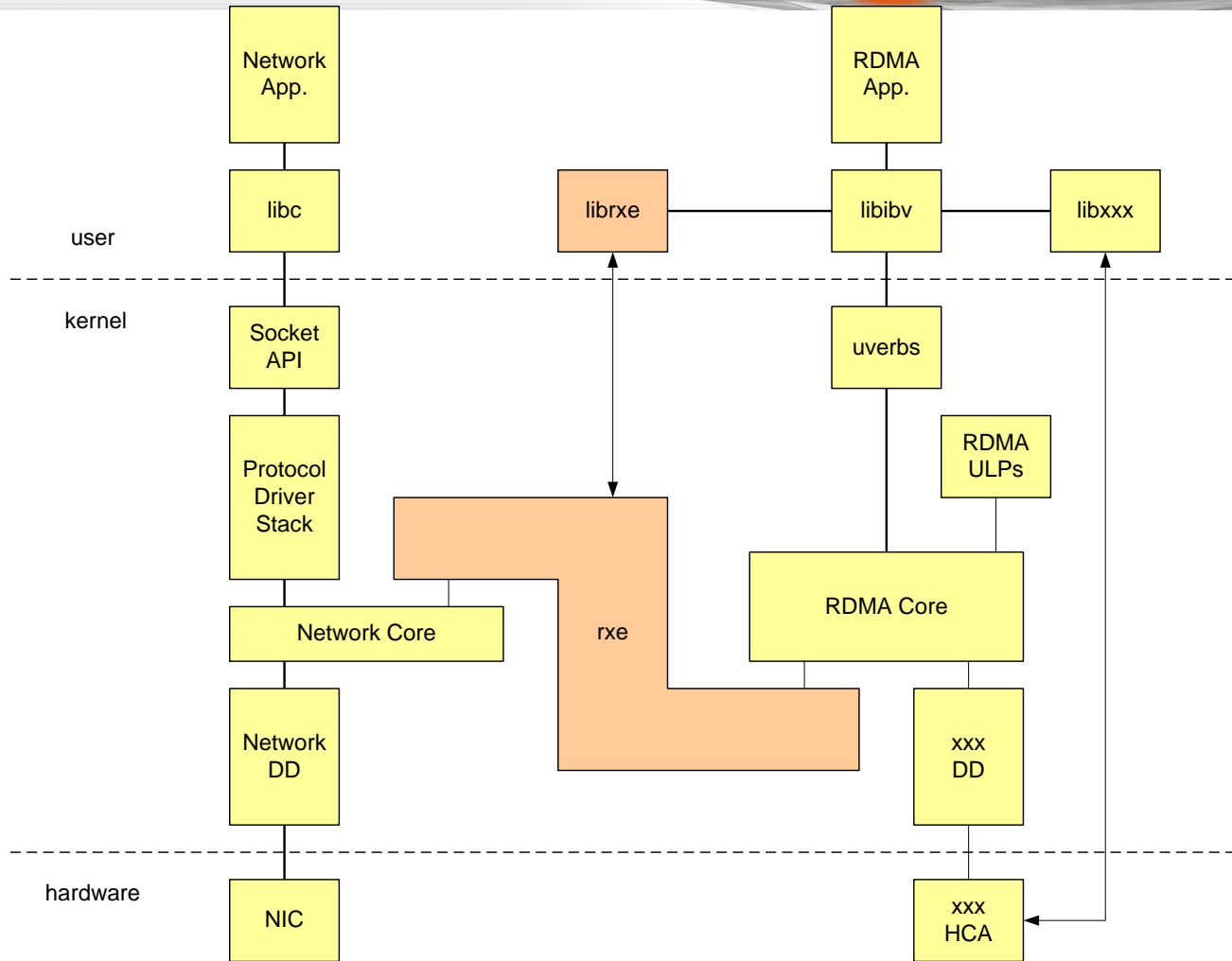
# Goals

- Soft implementation of IB transport
  - Motivation and clues from the ipath driver
  - Interoperate with CX-EN
- Support generic Ethernet devices
  - Attach above netdev core
- Moderate performance
- Ability to push upstream

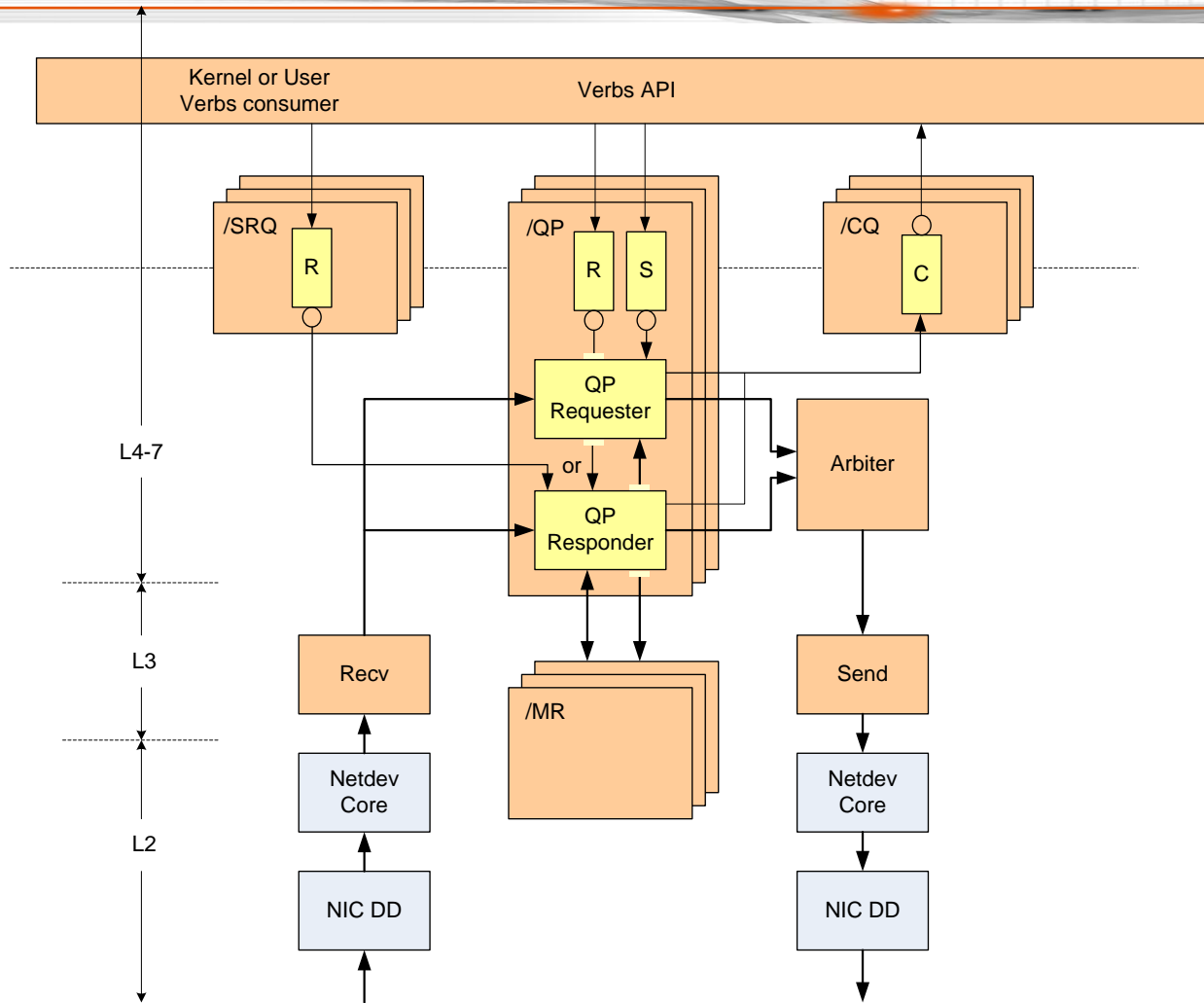
# Applications

- Low cost gateway to OFED software
- Asymmetric IO deployments
- Low to moderate performance
- Training and test platform

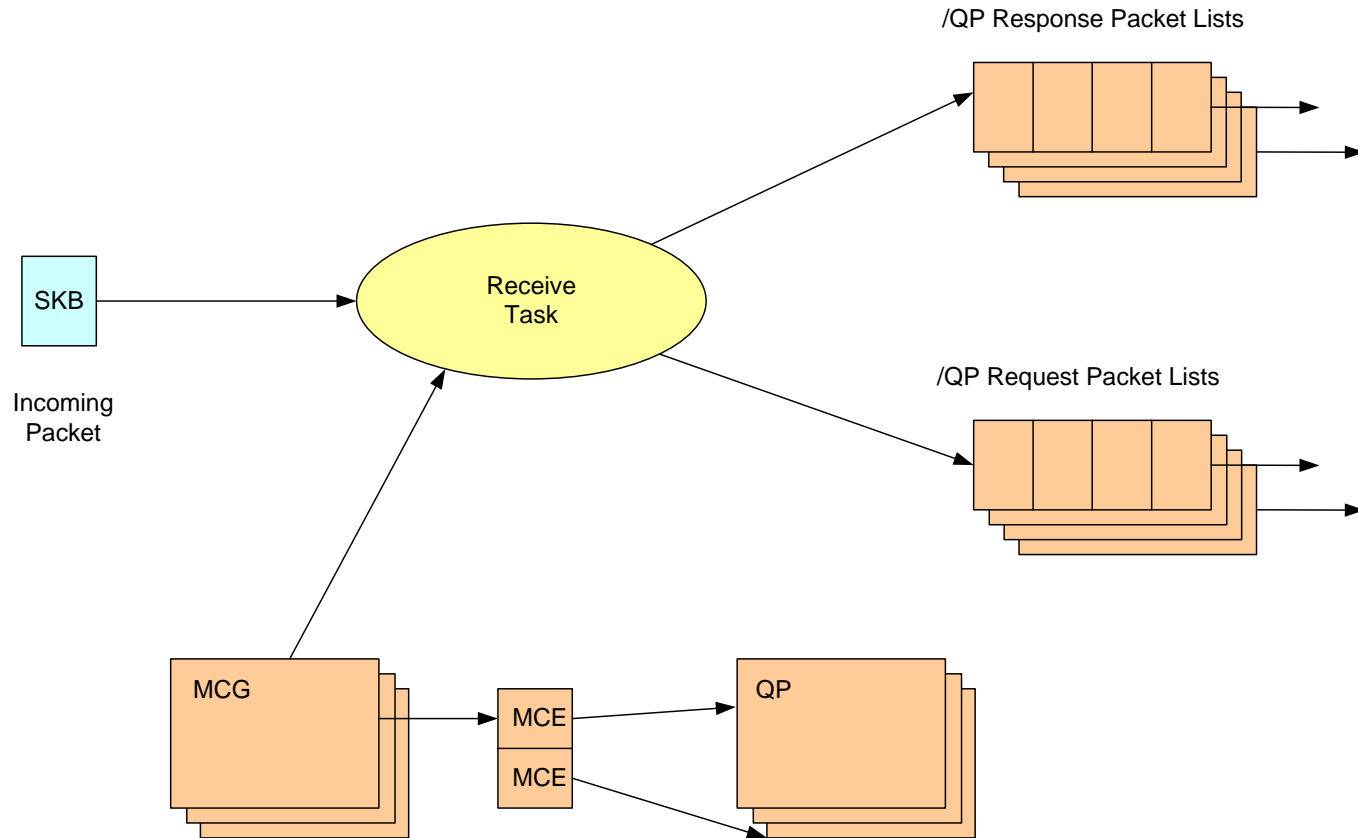
# Architecture(1)



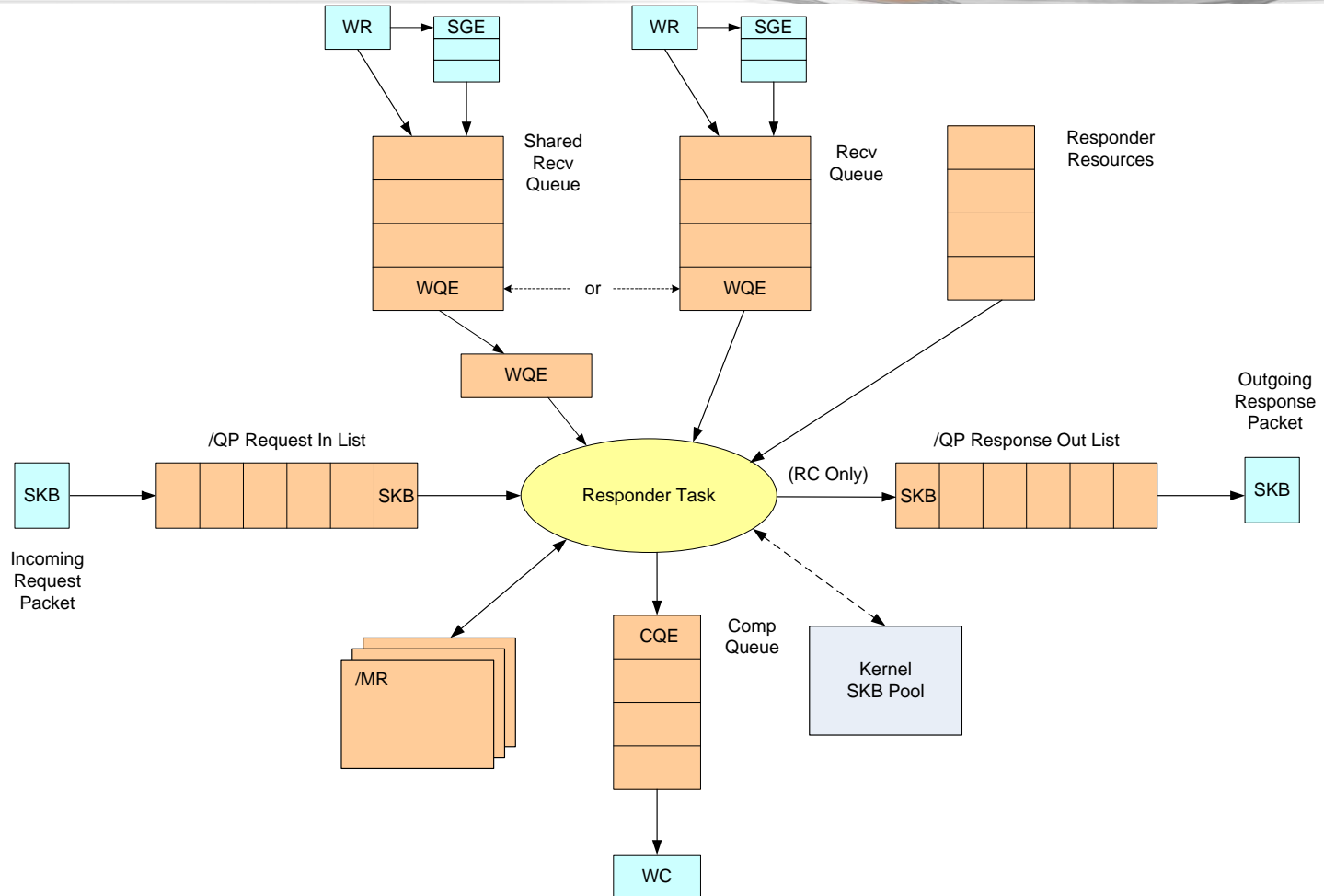
# Architecture(2)



# Receive Task

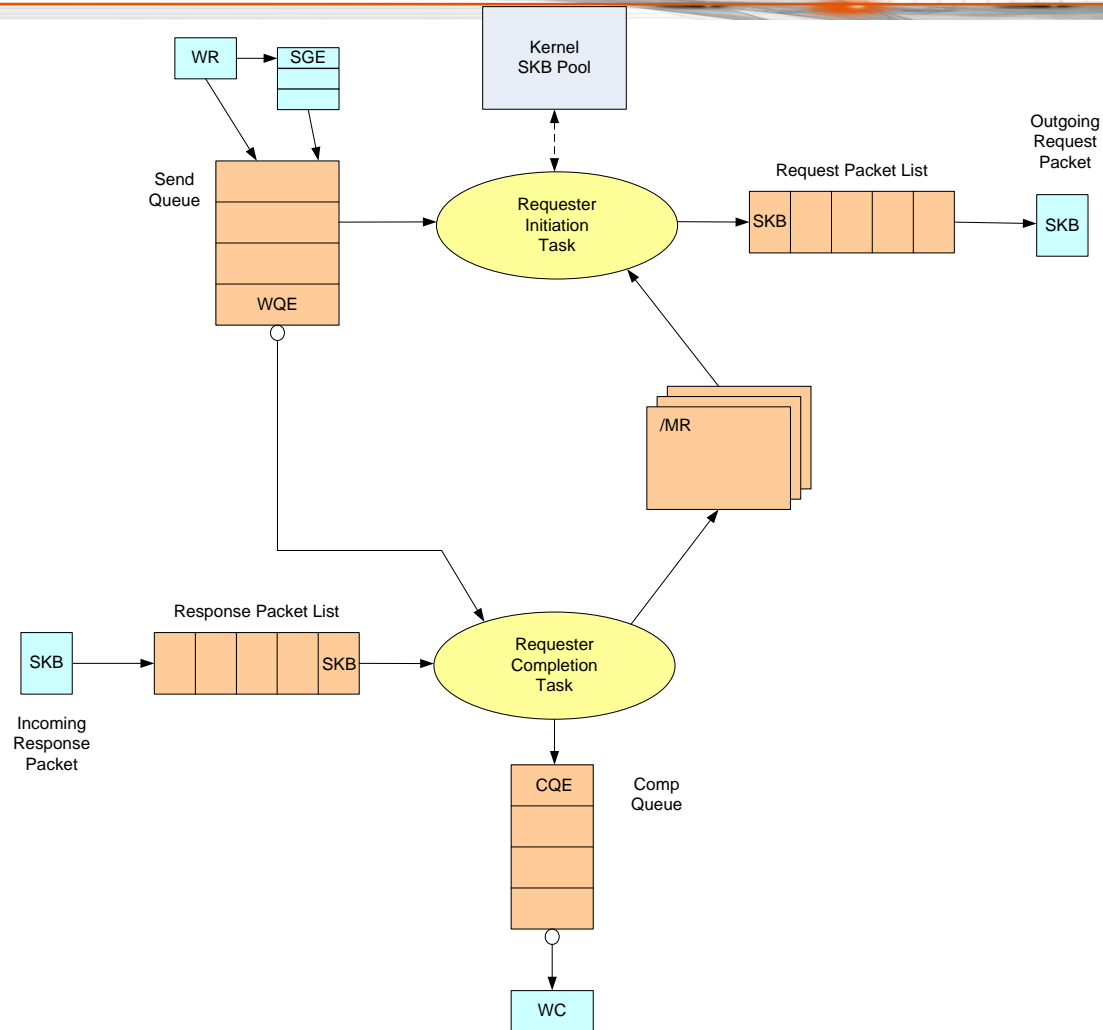


# ResponderTask

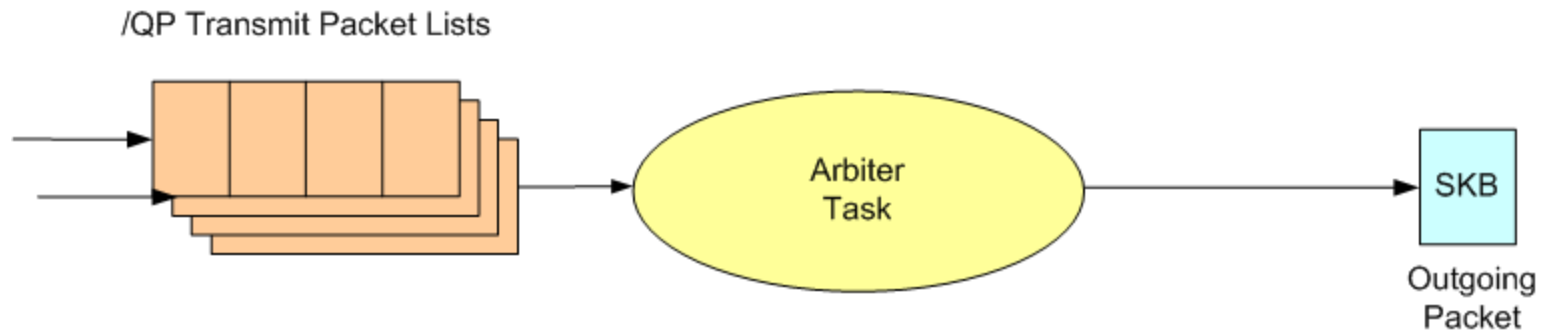




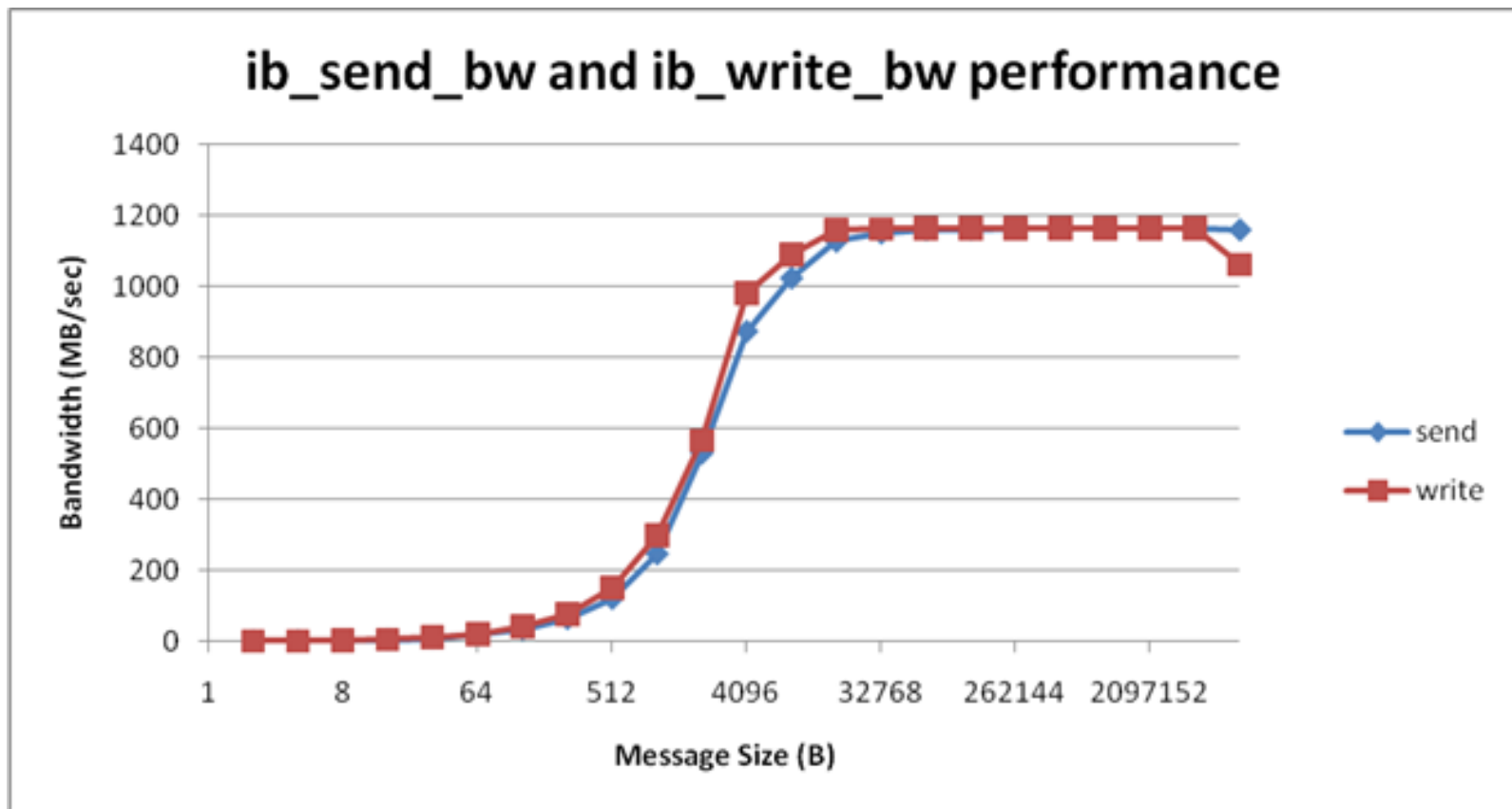
# Requester & Completer Tasks



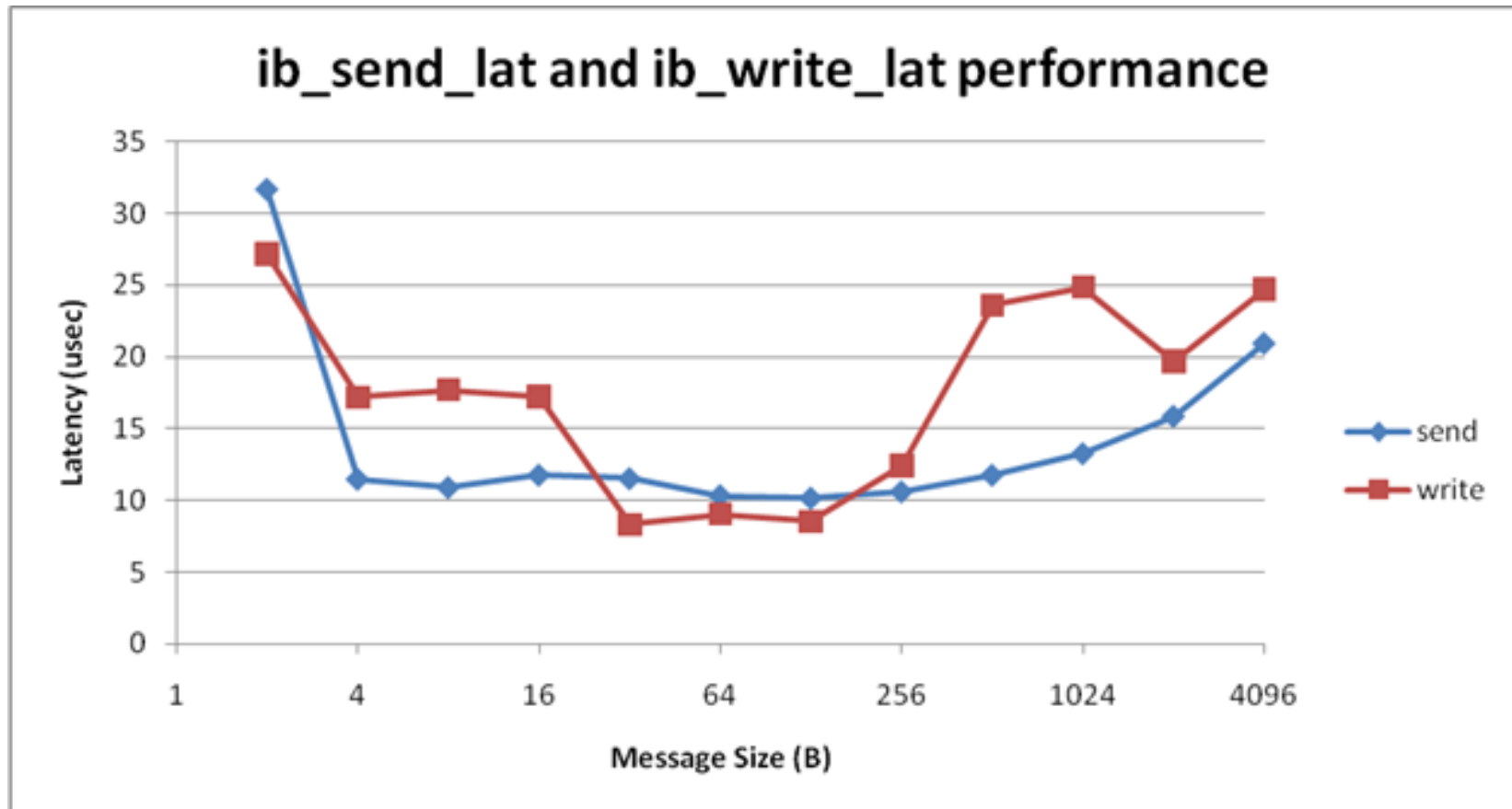
# Arbiter Task



# Bandwidth Performance



# Latency Performance



# Status

- OFED performance and examples working
- MPI has bugs
- RDS limited testing
- Have backports for RHEL/SLES
- New git tree at OFA soon
  - Meanwhile just ask
- Focus on system and performance testing
- Self discipline vs backpressure