

# OFA Training Programs

## Programming and Fabric Admin

Author: Rupert Dance

Date: 03/26/2012

# Agenda – OFA Training Programs



- Writing Applications for RDMA using OFA Software
  - Program Goals and Instructors
  - UNH-IOL facilities & cluster equipment
  - Programming course format
  - Course requirements & syllabus
  - RDMA Benefits
  - Programming course examples
- Fabric Administration
- Future courses
- Course availability

# OFA Training Program - Overall Goals



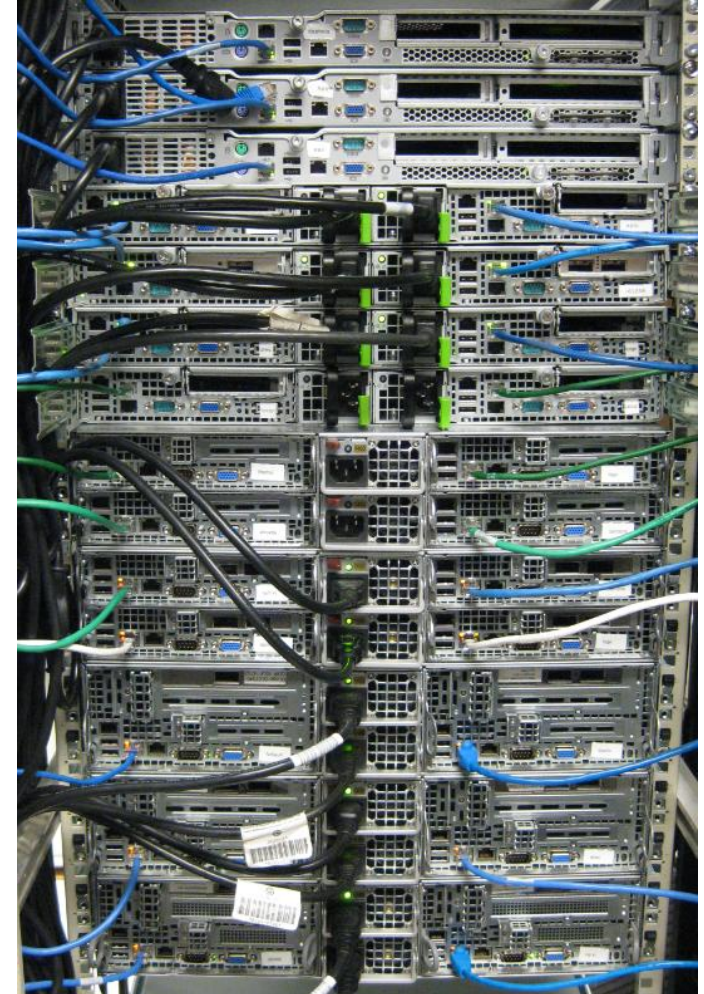
- Provide application developers with classroom instruction and hands on experience writing, compiling and executing an application using OFED verbs API
- Illustrate how RDMA programming is different from sockets programming and provide the rationale for using RDMA.
- Focus on the OFED API, RDMA concepts and common design patterns
- Opportunity to develop applications on the OFA cluster at the University of New Hampshire – includes the latest hardware from Chelsio, DDN, Intel, Mellanox, NetApp & QLogic

# Instructors



- **Dr. Robert D. Russell:** Professor in the CS Department at UNH
  - Dr. Russell has been an esteemed member of the University of New Hampshire faculty for more than 30 years and has worked with the InterOperability Laboratory's iSCSI consortium, iWARP consortium and the OpenFabrics Interoperability Logo Program.
- **Paul Grun:** Chief Scientist for System Fabric Works
  - Paul has worked for more than 30 years on server I/O architecture and design, ranging from large scale disk storage subsystems to high performance networks. He served as chair of the IBTA's Technical Working Group, contributed to many IBTA specifications and chaired the working group responsible for creating the RoCE specification.
- **Rupert Dance:** Co-Chair of the OFA Interoperability Working Group
  - Rupert helped to form and has led both the IBTA Compliance and Interoperability and OFA Interoperability programs since their inception. His company, Software Forge, worked with the OFA to create and provide the OFA Training Program.

# UNH Interoperability Lab



## Resources

- 32,000 Square Feet
- 100+ staff & students
- IB, iWARP and Windows Clusters

# Programming Course Format

- Part One - Introduction to RDMA
  - I/O Architecture and RDMA Architecture
  - Address translation and network operations
  - Verbs Introduction and the OFED Stack
  - Introduction to wire protocols
  - 138 Slides
- Part Two - Programming with RDMA
  - Hardware resources: HCAs, RNICs, etc
  - Protection Domains and Memory Registration keys
  - Connection Management
  - Explicit Queue Manipulation & Event Handling
  - Explicit Asynchronous Operation
  - Explicit Manipulation of System Data Structures
  - 425 Slides and 20 complete client/server program examples

# Programming Course Requirements

- Requirements
  - Knowledge of “C” programming including concepts such as structures, memory management, pointers, threads and asynchronous programming
  - Knowledge of Linux since this course does not include Windows programming
- Helpful
  - Knowledge of Event Handlers
  - Knowledge of sockets or network programming
  - Familiarity with storage protocols

# Programming Course Syllabus

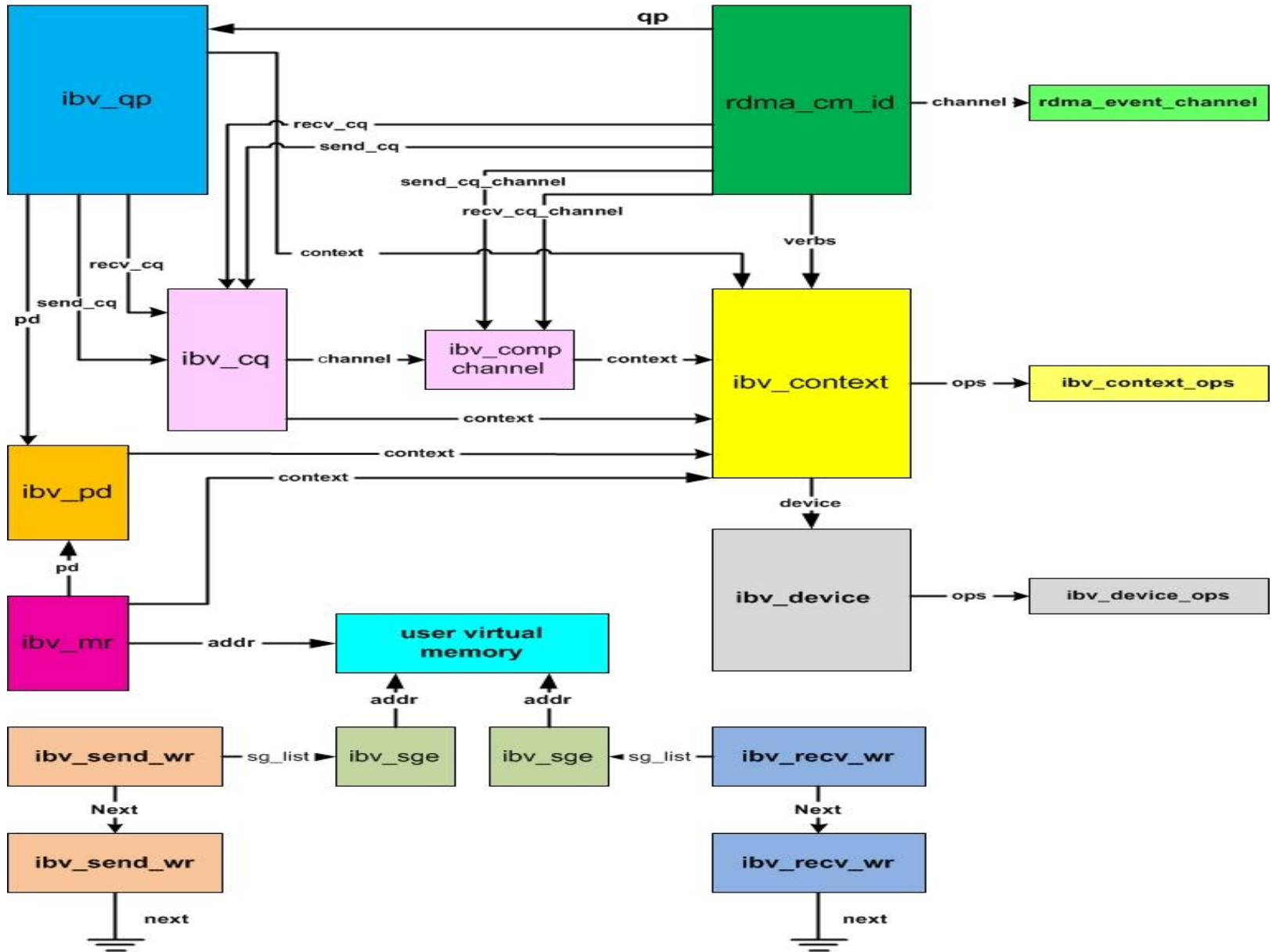
- **Introduction to OFA architecture**
  - Verbs and the verbs API
  - A Network perspective
  - RDMA Operations – SEND/RECEIVE, RDMA READ & WRITE
  - RDMA Services
  - Isolation and Protection Mechanisms
  - A brief overview of InfiniBand Management
  - A quick introduction to the OFED stack
  - Host perspective
    - Asynchronous processing
    - Channel vs. RDMA semantics
- **Basic Data Structures**
  - Connection Manager IDs
  - Connection Manager Events
  - Queue Pairs
  - Completion Queues
  - Completion Channels
  - Protection Domains
  - Memory Registration Keys
  - Work Requests
  - Work Completions
- **Connection management basics**
  - Establishing connections using RDMACM
  - RDMACM API
- **Basic RDMA programming**
  - Memory registration
  - Object creation
  - Posting requests
  - Polling
  - Waiting for completions using events
  - Common practices for implementing blocking wait
- **Design patterns**
  - Send-receive
  - RDMA cyclic buffers
  - Rendezvous
- **Advanced topics**
  - Work Request chaining
  - Multicast
  - Unsignaled Completions
- **RDMA ecosystems**
  - Native InfiniBand
  - iWARP
  - RoCE



# Programming Course Sample

- OFA Software Benefits
- Conventional I/O versus RDMA I/O
- Address Translation and Transport Independence
- Description of the Verbs & Data Structures
- Preparation for posting a send operation
- Create the work request
- Gathering data from memory
- Putting gathered elements on the wire
- Multicast concept
- The Big Picture

# Programming Course – The Big Picture

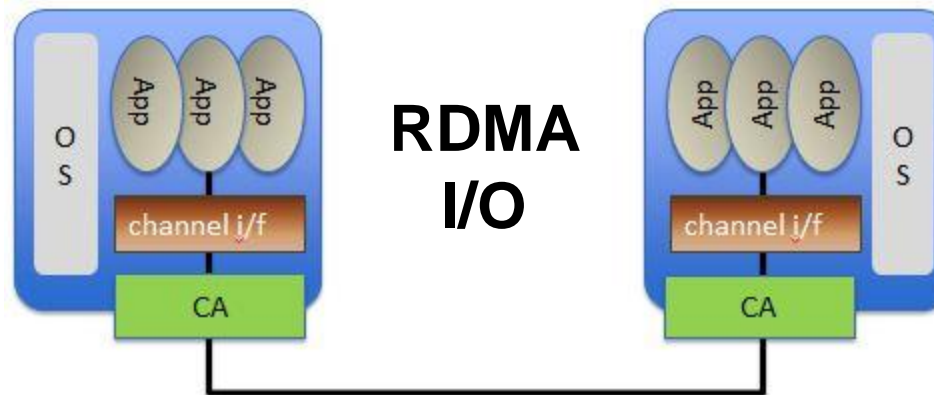
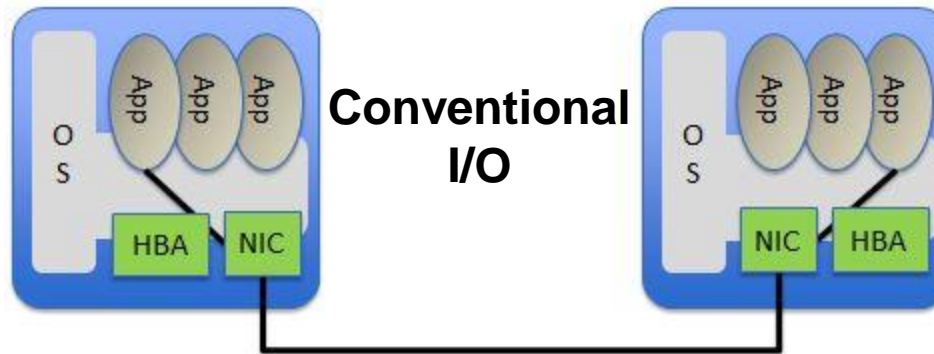


# OFA Software Benefits

- Remote Direct Memory Access provides
  - Low latency – stack bypass and copy avoidance
  - Kernel bypass – reduces CPU utilization
  - Reduces memory bandwidth bottlenecks
  - High bandwidth utilization
- Cross Platform support
  - InfiniBand
  - iWARP
  - RoCE

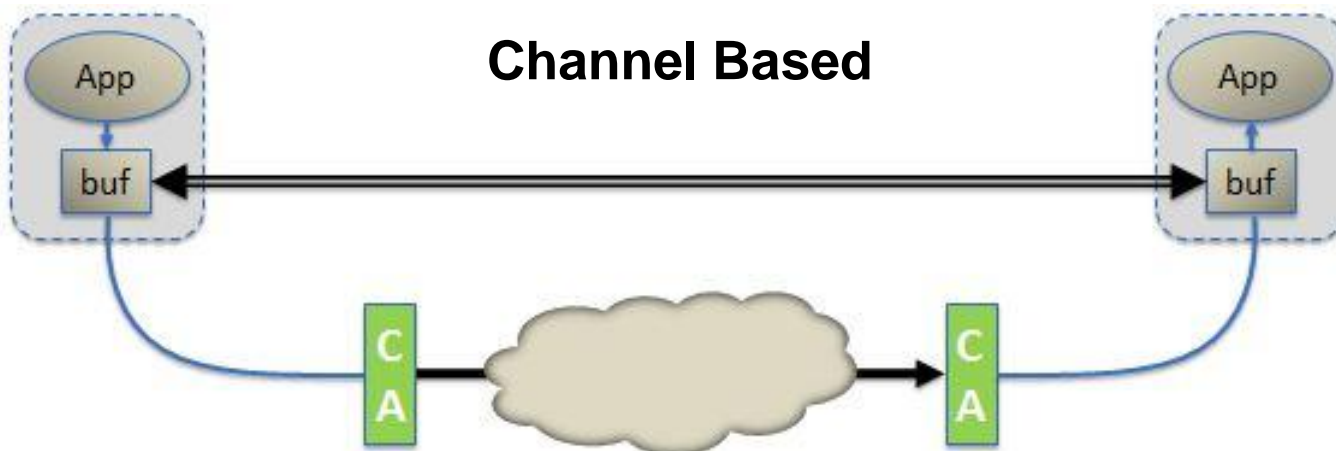
# Conventional I/O versus RDMA I/O

OS involved in all operations

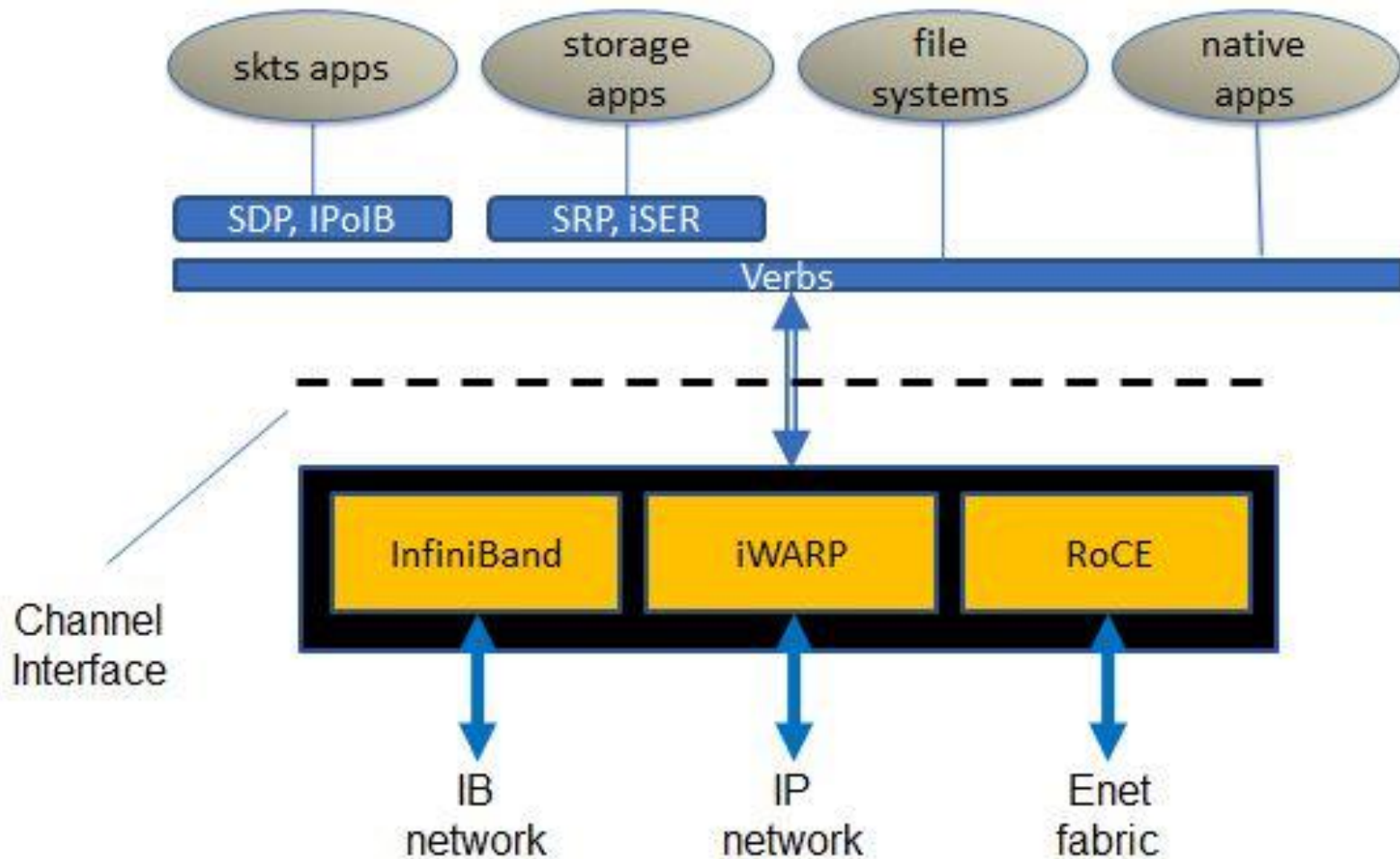


Channel interface runs in user space  
**No** need to access the kernel

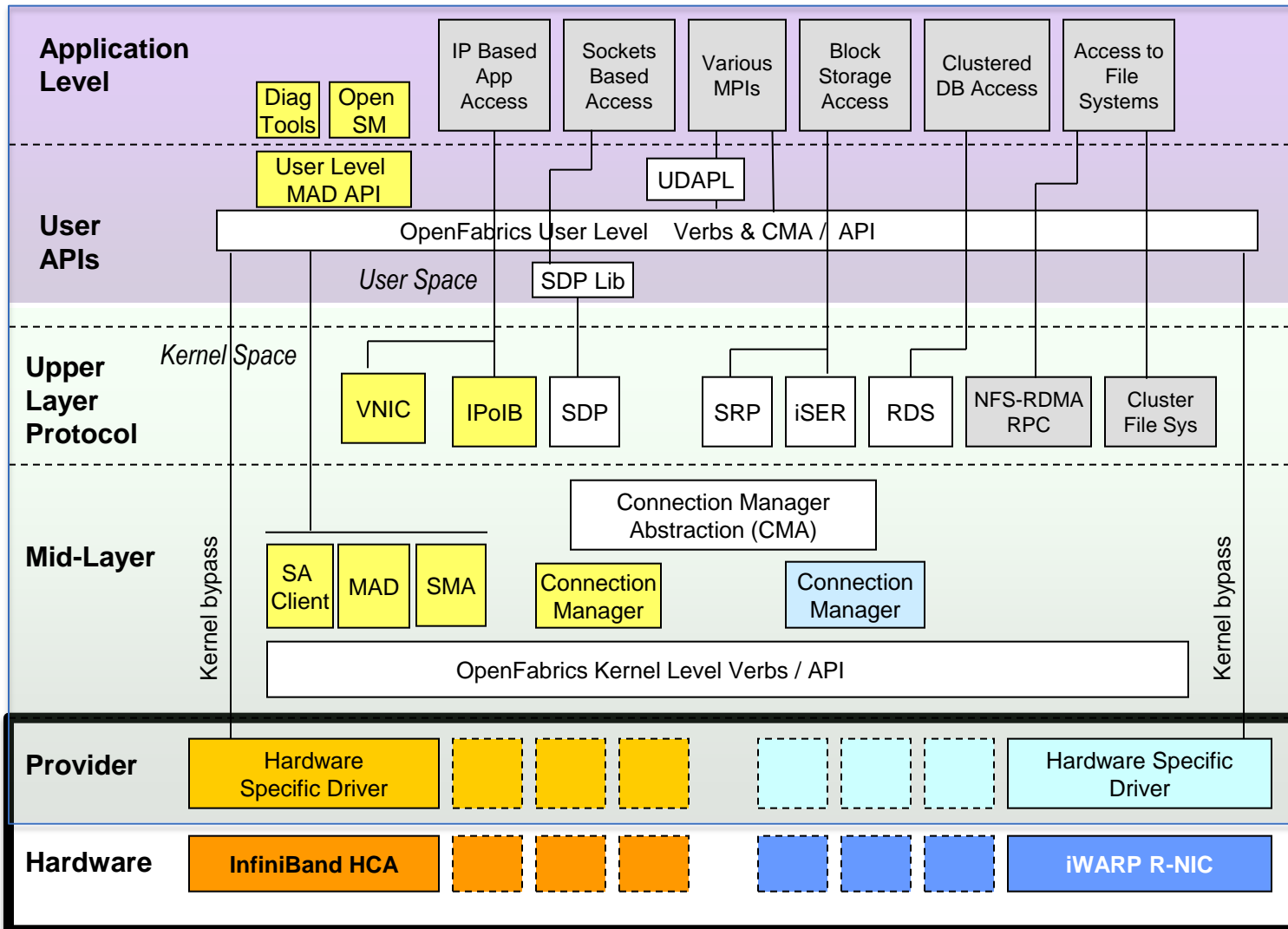
# Address Translation



# Many apps, one interface, three wires



# OFED – the whole picture



SA	Subnet Administrator
MAD	Management Datagram
SMA	Subnet Manager Agent
PMA	Performance Manager Agent
IPoIB	IP over InfiniBand
SDP	Sockets Direct Protocol
SRP	SCSI RDMA Protocol (Initiator)
iSER	iSCSI RDMA Protocol (Initiator)
RDS	Reliable Datagram Service
VNIC	Virtual NIC
UDAPL	User Direct Access Programming Lib
HCA	Host Channel Adapter
R-NIC	RDMA NIC

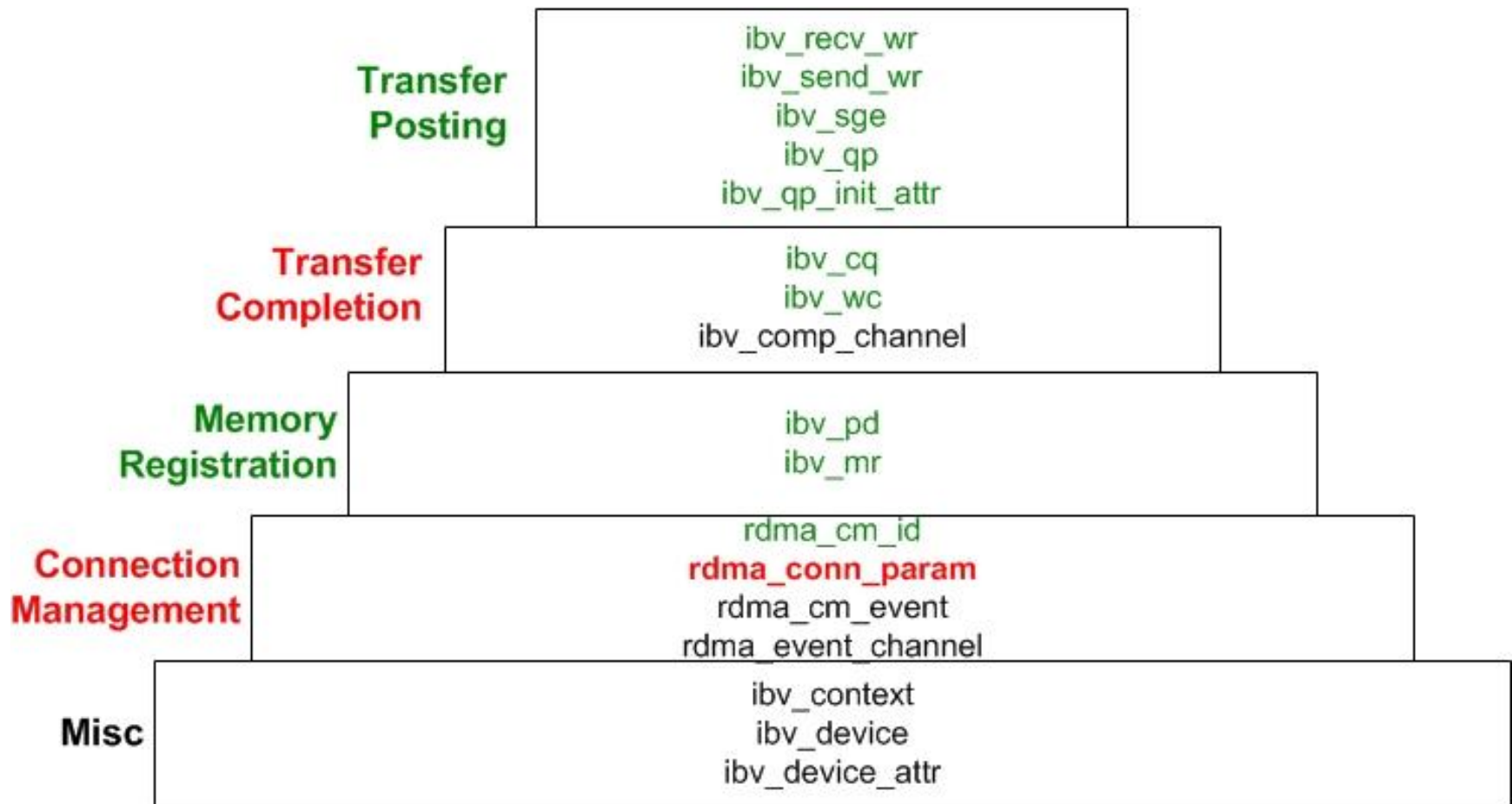
<b>Key</b>	Common	Apps & Access Methods for using OF Stack
	InfiniBand	
	iWARP	

# Programming Course - OFED Verbs

	Setup	Use	Break-Down
<b>Transfer Posting</b>	rdma_create_qp	ibv_post_recv ibv_post_send	rdma_destroy_qp
<b>Transfer Completion</b>	ibv_create_cq ibv_create_comp_channel	ibv_poll_cq ibv_wc_status_str ibv_req_notify_cq ibv_get_cq_event ibv_ack_cq_events	ibv_destroy_cq ibv_destroy_comp_channel
<b>Memory Registration</b>	ibv_alloc_pd ibv_reg_mr		ibv_dealloc_pd ibv_dereg_mr
<b>Connection Management</b>	rdma_create_id       rdma_create_event_channel	rdma_resolve_addr rdma_resolve_route <b>rdma_connect</b> <b>rdma_disconnect</b> rdma_bind_addr rdma_listen rdma_get_cm_event rdma_ack_cm_event rdma_event_str rdma_accept rdma_reject rdma_migrate_id rdma_get_local_addr rdma_get_peer_addr	rdma_destroy_id       rdma_destroy_event_channel
<b>Misc</b>		rdma_get_devices rdma_free_devices ibv_query_devices	



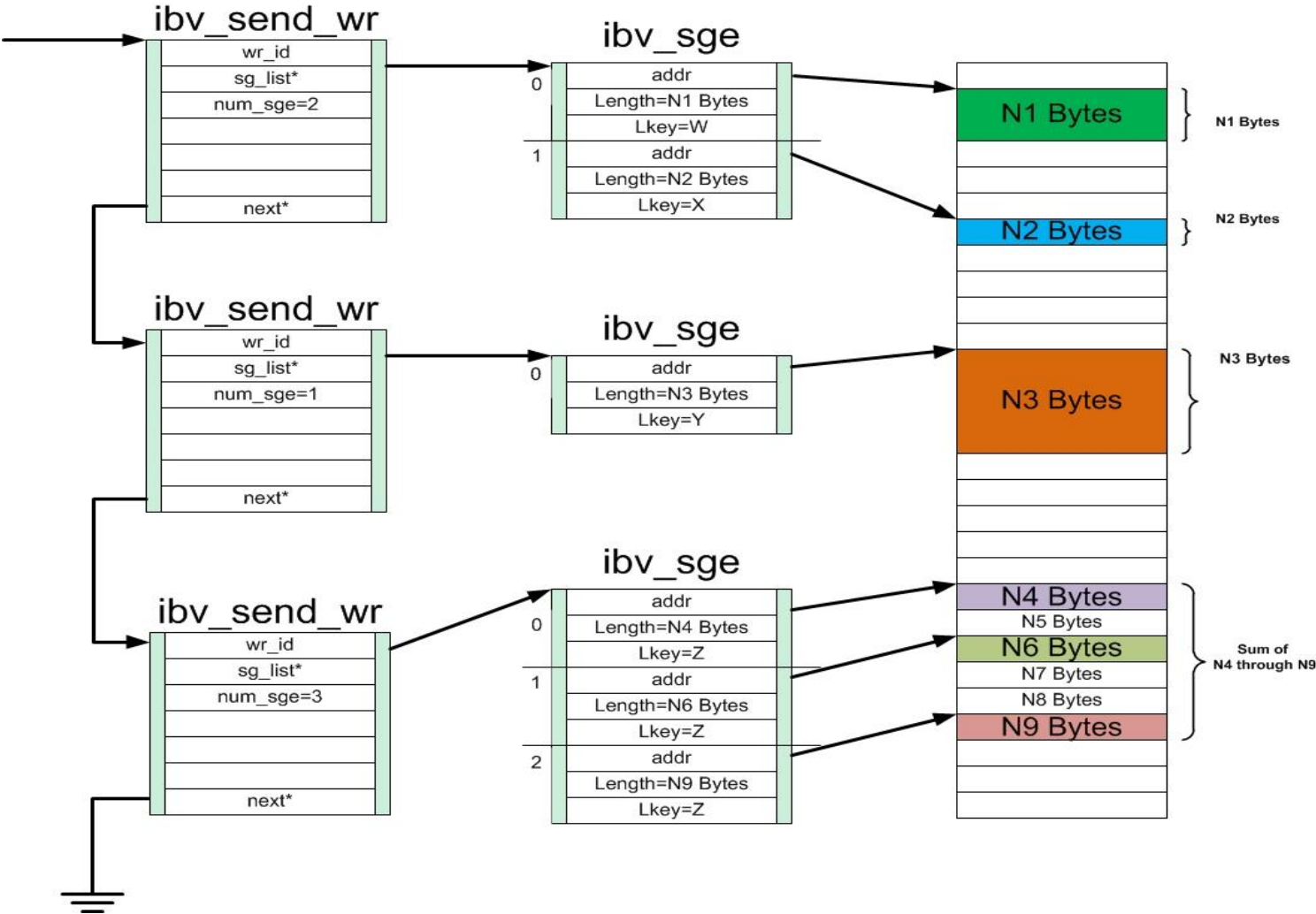
# Programming Course – Data Structures



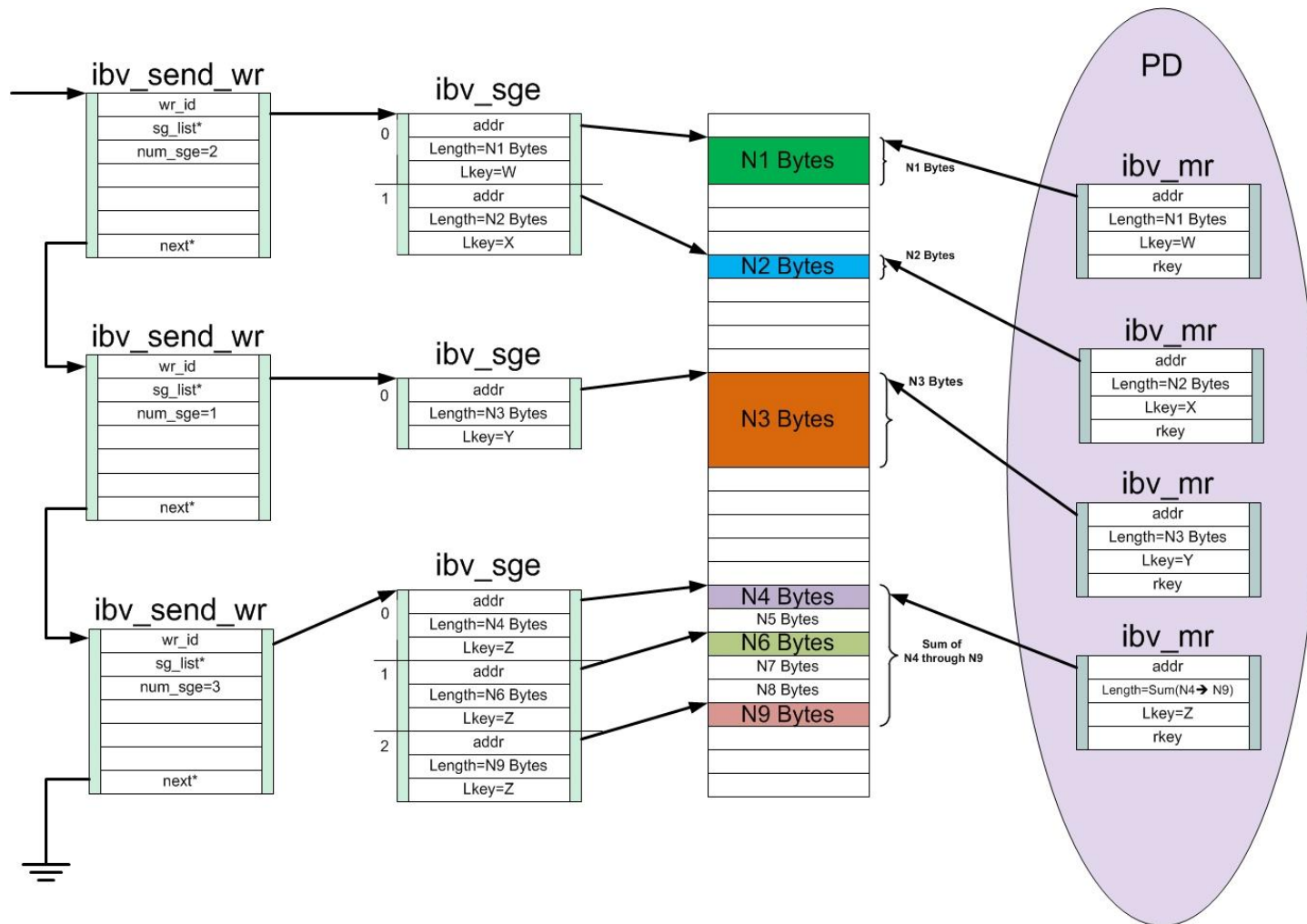
# Bottom-up client setup phase

- **rdma\_create\_id()** - create **struct rdma\_cm\_id** – identifier
- **rdma\_resolve\_addr()** - bind **struct rdma\_cm\_id** to local device
- **rdma\_resolve\_route()** - resolve route to remote server
- **ibv\_alloc\_pd()** - create **struct ibv\_pd** – protection domain
- **ibv\_create\_cq()** - create **struct ibv\_cq** – completion queue
- **rdma\_create\_qp()** - create **struct ibv\_qp** – queue pair
- **ibv\_reg\_mr()** - create **struct ibv\_mr** – memory region
- **rdma\_connect()** - create connection to remote server

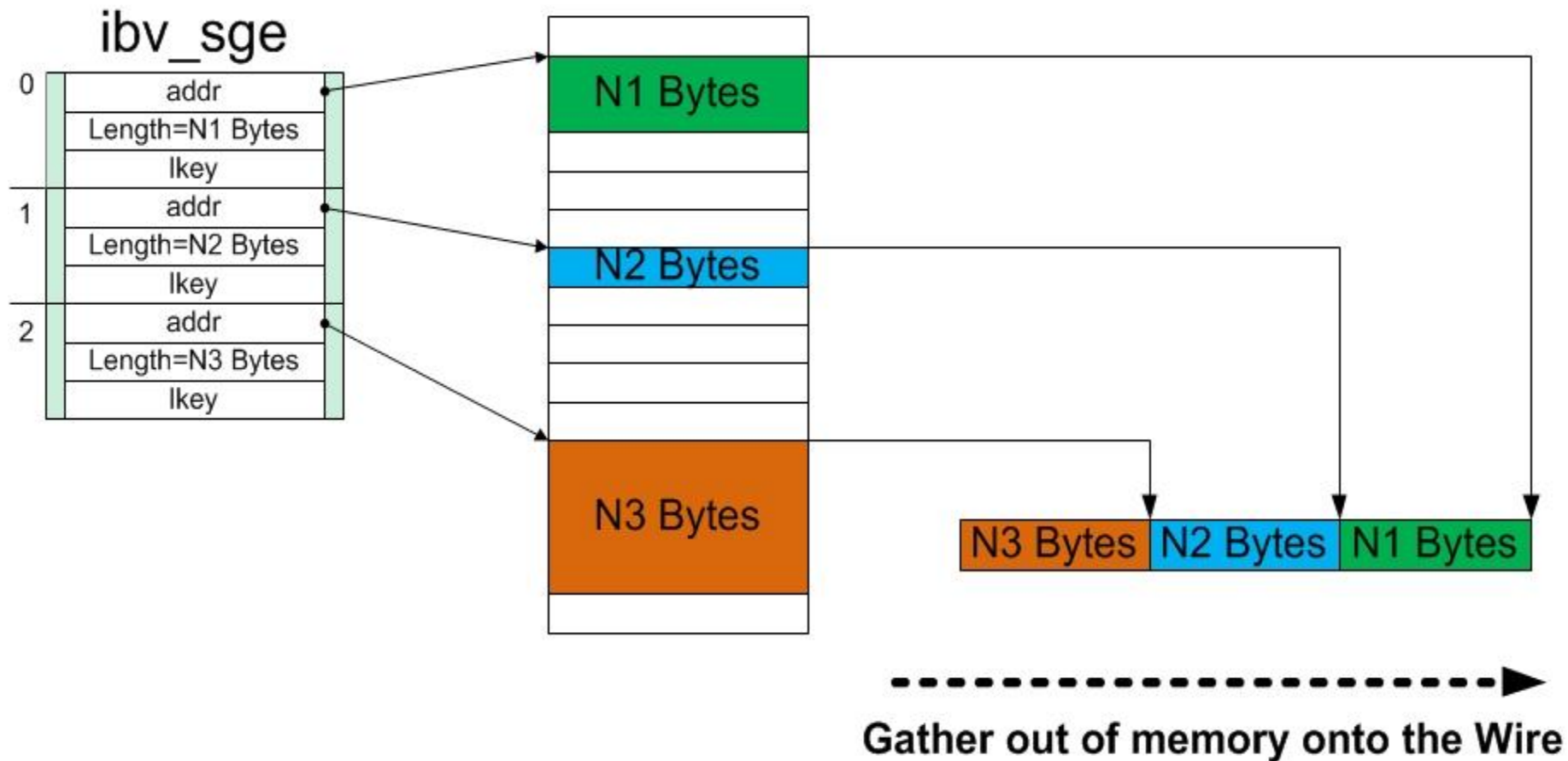
# Creating Scatter Gather Elements



# Protection Domains – Memory Regions



# Gather during `ibv_post_send()`



# Send Work Request (SWR)

- Purpose: tell network adaptor what data to send
- Data structure: **struct ibv\_send\_wr**
- Fields visible to programmer:
  - next** pointer to next SWR in linked list
  - wr\_id** user-defined identification of this SWR
  - sg\_list** array of scatter-gather elements (SGE)
  - opcode** **IBV\_WR\_SEND**
  - num\_sge** number of elements in **sg\_list** array
  - send\_flags** **IBV\_SEND\_SIGNALED**
- Programmer must fill in these fields before calling **ibv\_post\_send()**

# Posting to send data

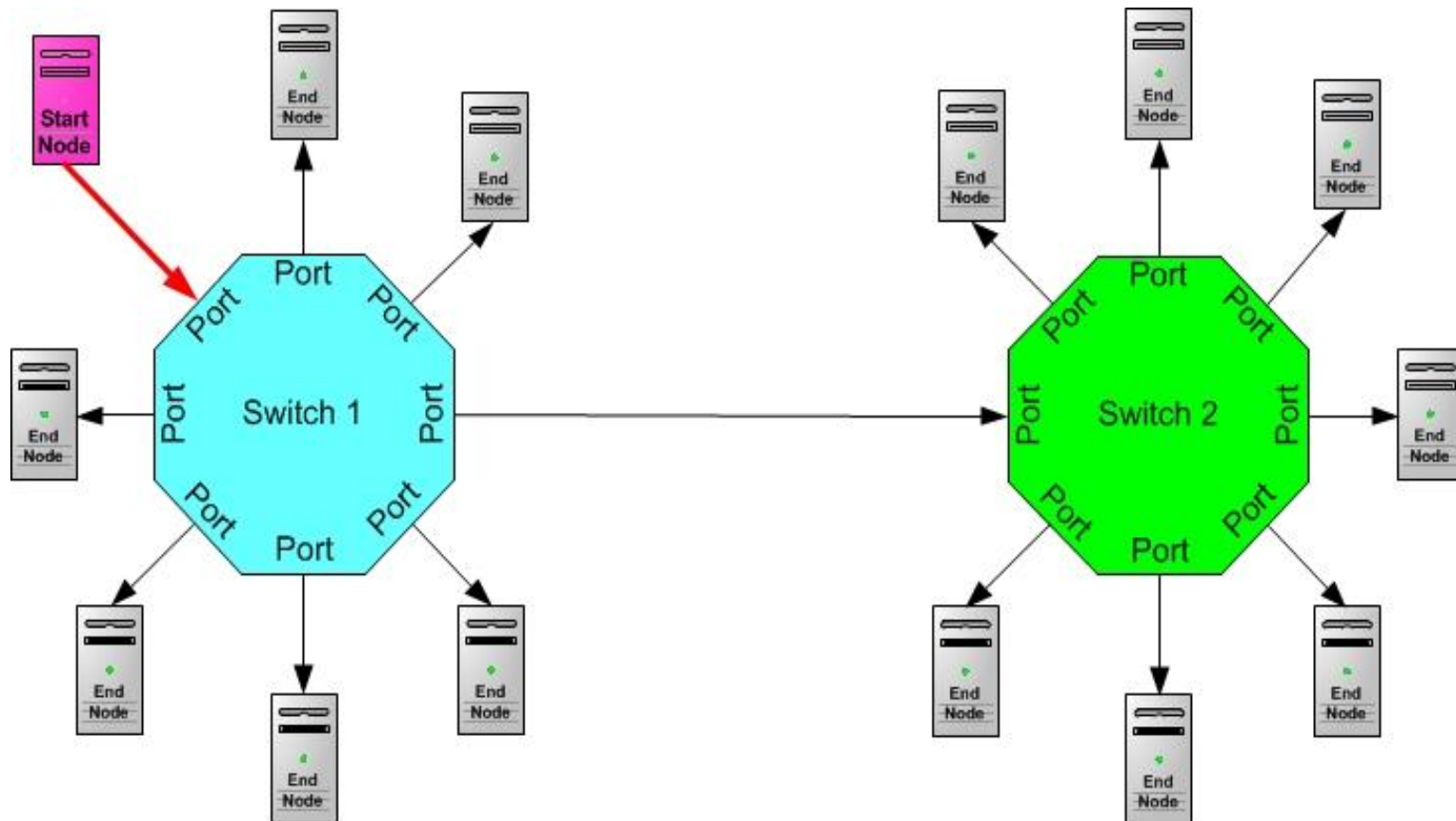
- Verb: **ibv\_post\_send()**
- Parameters:
  - Queue Pair - QP
  - Pointer to linked list of Send Work Requests – SWR
  - Pointer to bad SWR in list in case of error
- Return value:
  - == 0 all SWRs successfully added to send queue (SQ)
  - != 0 error code

# Bottom-up client break-down phase

- **rdma\_disconnect()** - destroy connection to remote server
- **ibv\_dereg\_mr()** - destroy **struct ibv\_mr** – memory region
- **rdma\_destroy\_qp()** - destroy **struct ibv\_qp** – queue pair
- **ibv\_destroy\_cp()** - destroy **struct ibv\_cq** – completion queue
- **ibv\_dealloc\_pd()** - deallocate **struct ibv\_pd** – protection domain
- **rdma\_destroy\_id()** - destroy **struct rdma\_cm\_id** – identifier



# Multicast concept



# Multicast

- Optional to implement in IB CAs and switches
- Uses **Unreliable Datagram (UD)** mode
  - Only **Send/Recv** operations allowed
  - Both sides must actively participate in data transfers
- Receiver must have RECV posted for next SEND
- Receiver must process each RECV completion
- Only possible with IB, not iWARP



# OFA Training Programs

## RDMA Fabric Administration

# IB, iWARP and RoCE

- IB, RoCE and iWARP all present the same APIs
  - Above RDMA-CM there is little or no difference
- Below RDMA-CM, two distinct management paradigms
  - The IB management paradigm
  - The Ethernet/IP management paradigm (iWARP, RoCE)
  - Below RDMA-CM there is no commonality
- Recommendation to prepare separate modules
  - IB Fabric Admin
  - iWARP Fabric Admin
  - RoCE
- Benefit is the ability to deliver targeted information to the end user

# Delivery Venue

- This course is intended to be delivered in a dedicated facility (e.g. UNH-IOL)
  - It can also be delivered in a customer classroom, or remotely
  - Face-to-face delivery is preferred
- For lab purposes:
  - Access to a dedicated (non-production) cluster is required
  - Students can SSH into a remote cluster (e.g. UNH-IOL)
  - There is no specific requirement for an on-site cluster to support the class
  - Course scheduling should be coordinated with UNH-IOL activities



# IB Fabric Administration using the OFED Mid-Layer

Syllabus

# A System Admin's Guide to IB – 4 hrs



1. Introduction to InfiniBand for System Administrators – 1 hour
  - IB goals and concepts (leverage material from RDMA Programming Course)
  - IB as a layer 2 fabric – RoCE fabrics, iWARP
  - The role of IB management in the overall RDMA architecture
  - Introduction to OFED architecture and ULPs (e.g. IPoIB)
  
2. IB physical components – :30 min
  - HCAs/TCAs, switches, routers, gateways, cables
  
3. IB Management Concepts – 2.5 hours
  - Centralized management architecture
  - Manager/agent communication
  - Fabric management concept
  - Connection Management concept
  - Traffic engineering features (partitioning, VLs, QoS)
  - IB multicast compared to Ethernet

# Planning and Installation – 4 hrs

## 1. Planning an IB Installation – 1 hr

- Introduction to topologies
- Deadlocks and deadlock avoidance
- Traffic engineering considerations: SLs → VLs, Partitioning, QoS

## 2. Installing IB – 3 hrs

- Combination lab / lecture
- OFED installation – Linux and Windows
- OFED compile tips and tricks
  - Use pre-compiled binaries
  - Hardware installation, cabling, BKMs
- Optical versus copper cables, connector types, distances
- Verifying basic connectivity and operation, BKMs
- Initial power-on and debugging



# IB Management Architecture – 4 hrs

## OFED mid-layer topics



1. Fabric Management – 1.5 hrs
  - SMPs, GMPs
  - End-to-end path concepts – MTU, PMTU
  - Fabric discovery and configuration (directed routed, routed discovery, VL15)
  - Fabric partitioning, P\_Keys, Q\_Keys
  - QoS considerations
2. Identifiers, Addresses and Address Resolution – 1.5 hrs
  - Global addresses: GUIDs, GIDs, IP addresses
  - Local addresses – LIDs, MLIDs,
  - Address resolution
3. Managers and agents - :30 min
  - Introduction to SM, SMA, SA - discuss OpenSM, introduce 3rd party managers
  - Interacting with IB managers - SA query, Path Records, PM etc.
4. ULPs & connection management - :30 min
  - IPoIB , RDMA-CM, IB-CM
5. Multicast management - :30 min
  - Establishing /joining/leaving multicast groups
  - IB multicast and the IB SM

# Operating an IB Fabric – 4 hrs



1. Configuring the fabric using IB management methods - :30 min
  - Working with SMs, SAs
  - Switch-based versus host-based SMs
  - Discovering SMs, resolving conflicts
  
2. OFED Tools - :30 min
  - List of IB tools
  - Fabric discovery tools, connectivity tools, debugging tools
  - The 'Top 10' tools – practical advice on using the tools
  - Getting more information
    - Man pages
    - IB specifications
  
3. Interacting with the system, system tools – 3 hrs
  - Verifying correct installation and basic operation
  - Interacting with the system via OFED software
  - OFED tools (ib\_rdma\_bw...etc)

# Advanced Topics – not included in course

1. Performance analysis
  - Tools
  - Metrics
2. Traffic engineering
  - TC → SL → VL
3. Advanced topologies
4. Storage applications & management
  - SRP, iSER, NFS/RDMA, etc.
5. Bridging technologies
  - EoIB, FCoIB...
6. IB over the WAN
7. MPI



# Managing an IP Fabric for iWARP

Syllabus

# Fabric Admin's Guide to iWARP



1. Introduction to iWARP for Network Admins
  - Contrasting and Comparing iWARP with IB and RoCE fabrics
  - Introduction to OFED architecture and ULPs
2. iWARP physical components
  - Ethernet switches and routers.
  - Ethernet cables
3. Software
  - RNIC Verbs
  - MPI APIs – Intel MPI, HP-MPI, Scali MPI, MVAPICH2
  - Non-MPI APIs AMQP Voltaire VMA, NYSE Data Fabric
  - uDAPL v1.2, v1.3

# iWARP Planning and Installation

## 1. Planning an iWARP Installation

- iWARP considerations in an Ethernet networking environment
- Ethernet network topologies
- Ethernet Switch features and configuration

## 2. Installing iWARP – 3 hrs

- Combination lab / lecture
- BIOS and System settings
- OFED installation – Linux and Windows
  - OFED compile tips and tricks
  - Use pre-compiled binaries
- Hardware installation, cabling, BKMs
  - Optical vs copper cables, connector types, distances
- Initial power-on and debugging
- Verifying basic connectivity and operation, BKMs

## 3. Switch Management

- Enable Flow Control, Transmit and Receive
- Enable DCBx and Priority Flow Control (RoCE)
- Configure default VLAN 0

# Future OFA Software Training Course



- Advanced Programming topics
  - Kernel level programming
- ULP Training
  - MPI
  - RDS
  - SRP
- Other

# OFA Training Course availability

## Writing Applications for RDMA using OFA Software

- Next course: May 22-23 2012 – [OFA Programming Course](#)
- The course can be presented at your company location
  - Europe and Asia supported in addition to USA
  - Minimum of 8 attendees required
- The course is available via Webinar
  - Four half day course available for developers in Asia to avoid travel expense
  - Minimum of 8 attendees required

## Fabric Admin

- Projected availability - Q3 2012
- Available quarterly at the [UNH-IOL](#)

For more information contact: [rsdance@soft-forge.com](mailto:rsdance@soft-forge.com)