

IB Monitoring

Florent.Parent@calculquebec.ca
IBUG2014
Monterey, CA



UNIVERSITÉ
LAVAL



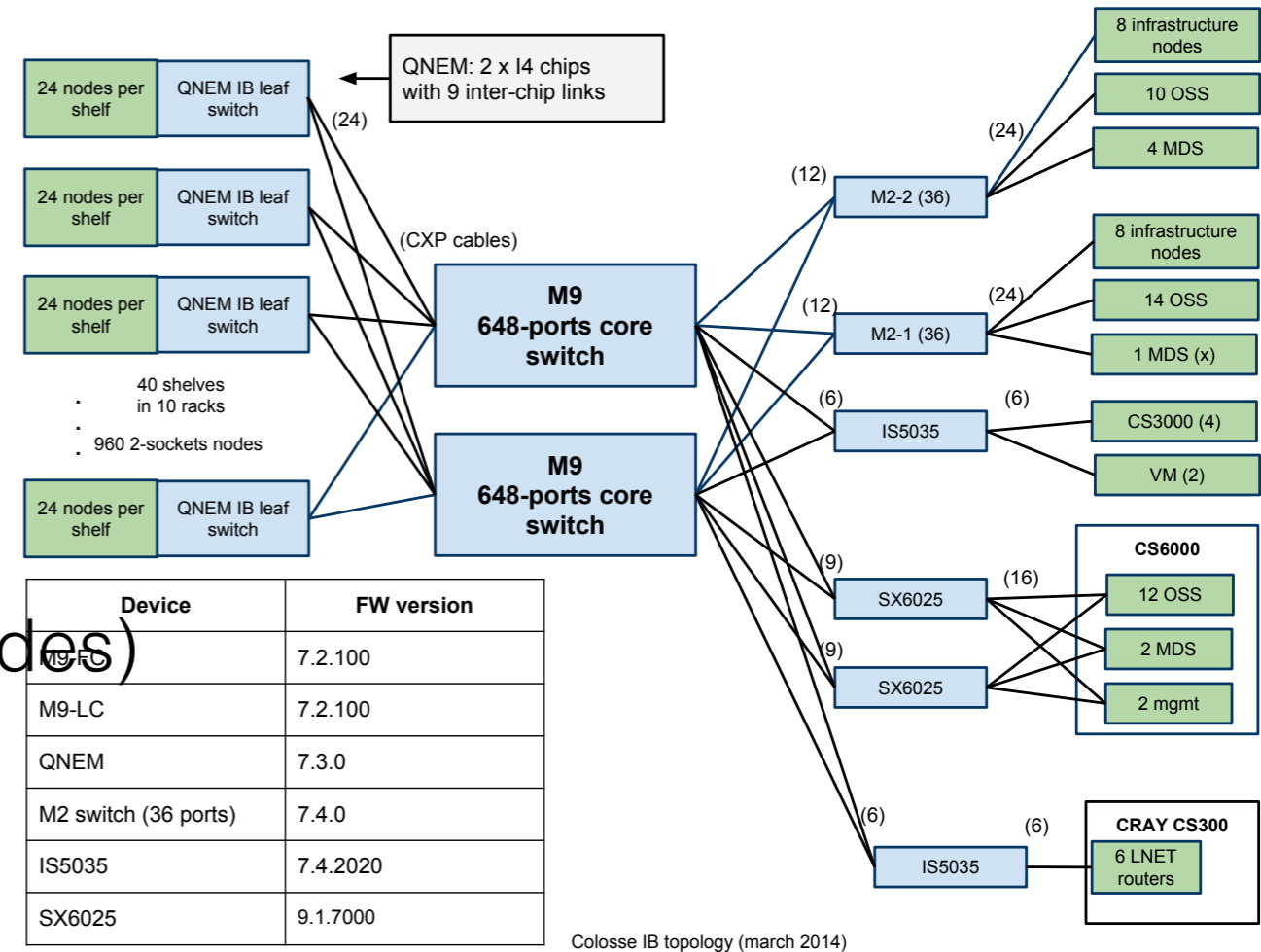
compute • calcul
CANADA

Plan

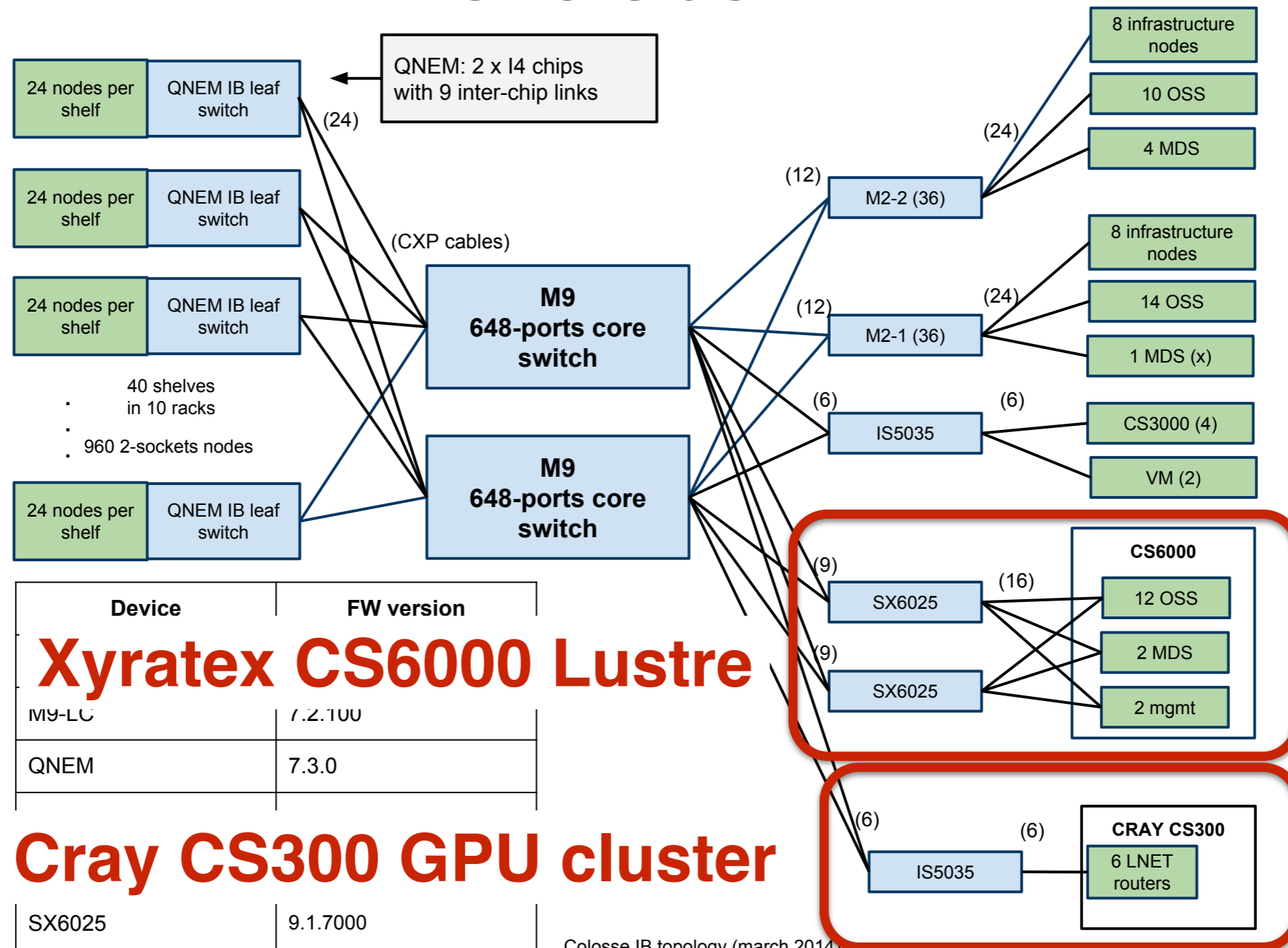
- Recent experiences (adding storage + GPU cluster, OFED/OpenSM upgrade)
- Logging and monitoring IB
- Visualization

Colosse cluster

- 960 compute nodes
- 4 Lustre filesystems
- Sun M9 and QNEM QDR switches
- Fat Tree routing (1:1 to compute nodes)
- OpenSM 3.2.6 (until Feb 2014)
- CentOS 5.10
- OFED 1.4.2 -> stock CentOS



New storage and GPU cluster



Device	FW version
Xyratex CS6000 Lustre	
M9-LC	7.2.100
QNEM	7.3.0
Cray CS300 GPU cluster	
SX6025	9.1.7000

Jan '14

Feb '14

Colosse IB topology (march 2014)

Adding new equipment

inventory

- Have been holding back against any major changes
 - “If it works, don’t fix it”, right?
- But adding new storage, GPUs
 - More recent OFED, FDR switches, firmware.
- Do inventory. Plan necessary updates

node	libibverb	OFED	MLX FW ver
compute	1.1.3	1.5.1	2.7.8100
colosse1	1.1.3	1.5.1	2.7.000
colosse2	1.1.3	1.5.1	2.6.000
MDS lustre1	1.1.7	3.5-2	2.9.1000
OSS lustre1	1.1.7	3.5-2	2.9.1000
MDS lustre2	1.1.6	1.5.4.1	2.6.000
OSS lustre2	1.1.6	1.5.4.1	2.7.000
mgmt1	1.1.2	1.4.2	2.6.000
mgmt2	1.1.2	1.4.2	2.6.000
beast	1.1.3	1.5.1	2.6.000
karma	1.1.3	1.5.1	2.6.000
moabdev	1.1.6	3.5	
analog	1.1.6	3.5	
polaris	1.1.7	3.5-2	2.6.200
redlotus	1.1.7	3.5-2	2.6.000
boot1-5	1.1.3	1.5.1	2.6.200

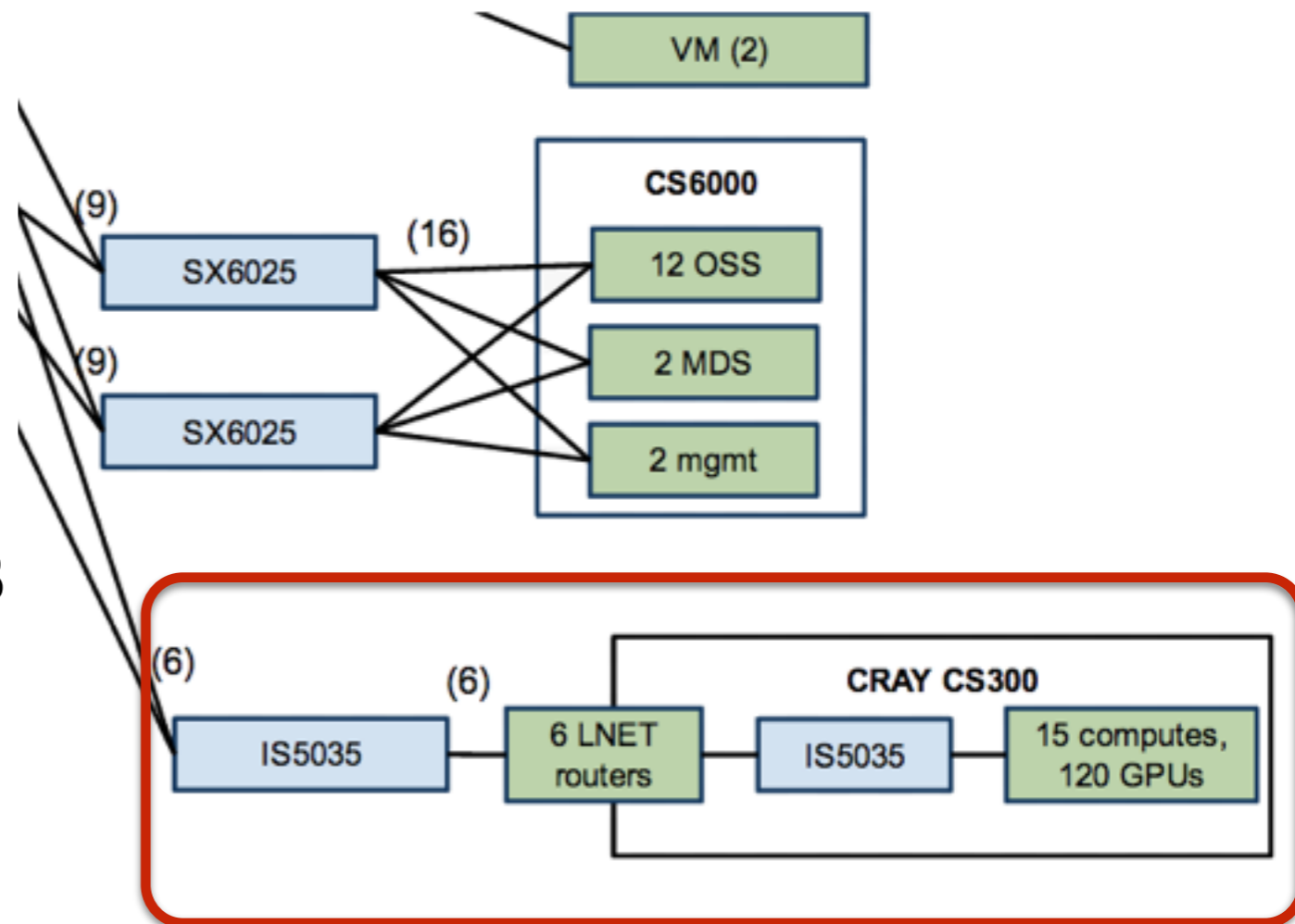
NOTE:
Have not found an obvious method to figure out the OFED version installed

OpenSM 3.2.6 to 3.3.17

- Motivation: OpenSM getting really out of sync from all other cluster components.
- Initially used stock OpenSM 3.3.15 from CentOS 6.5, but had multiple opensm crashes
- 3.3.17 has been good so far.
 - Needed “use_mfttop FALSE” to decrease log verbosity (QNEM switch using old MLX firmware)
- Updated to stock CentOS 5 and 6 RDMA stack

LNET routers

- Motivation for LNET routers:
 - Cray CS300 system
 - Cray “ACE” used for cluster management: integrates an opensm service
 - Preferred to isolate CS300 IB network from existing Colosse IB network
 - Need to mount Lustre filesystems (home, scratch, etc.)



Logging and monitoring

- All logs sent to central server
 - Power
 - Cooling/environmentals
 - Network (ACL, iptables)
 - Scheduler events
 - Node health
 - Infiniband counters
- A lot of unstructured data
- SPLUNK used



Monitoring IB counters

- Using LLNL “ibtrackerror” script (ibqueryerrors)
 - Crontab. Every 15 minutes
- `ibtrackerrors -c => Script => syslog`

```
Errors for "r106-n4"  
  GUID 0x50800200008d6619 port 1: [SymbolErrorCounter == 24869] [PortRcvErrors == 11] [PortXmitData == 360  
(1.406KB)] [PortRcvData == 27556 (107.641KB)] [PortXmitPkts == 5 (5.000)] [PortRcvPkts == 648 (648.000)]  
  Link info: 626 1[ ]==( 4X 2.5 Gbps Active/ LinkUp)==> 0x0021283a83c20040 13 18[ ]  
"RACK-106_QNEM-1_I4-A" ( Could be 10.0 Gbps)
```



script to group into key/value pairs

```
2014-03-31T21:45:04.820156-04:00 polaris ibqueryerrors-polaris: name="r106-n4" peername="RACK-106_QNEM-1_I4-A"  
peerguid=0x0021283a83c20040 peerport=18 guid=0x50800200008d6619 port=1 SymbolErrorCounter=24869  
PortRcvErrors=11 PortXmitData=360 PortRcvData=27556 PortXmitPkts=5 PortRcvPkts=648
```

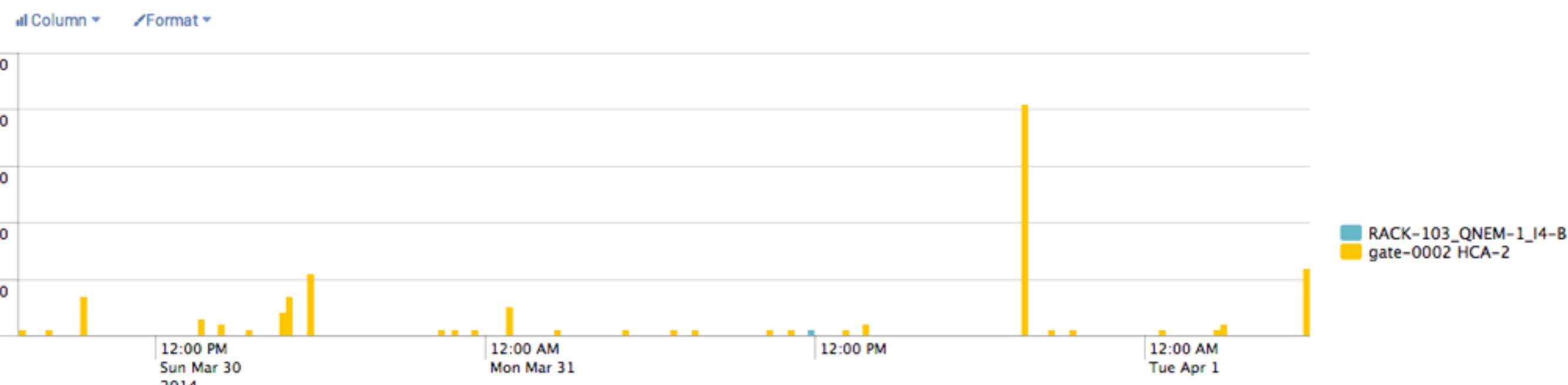
SPLUNK Queries

source="/var/log/ibqueryerrors-polaris.log" earliest=-3d |timechart span=15m| fixedrange=t sum(LinkErrorRecoveryCounter) by name

39,587 events (3/29/14 9:22:32.000 AM to 4/1/14 9:22:32.861 AM)

Job Complete

Events (39,587) Statistics (188) Visualization



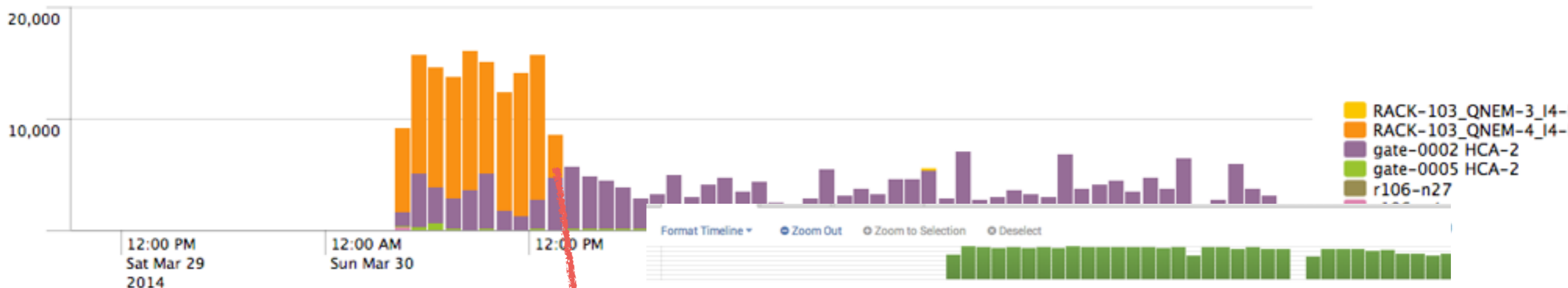
# peerport 23	▶ 4/1/14 2014-04-01T07:45:08.419105-04
# port 37	▶ 4/1/14 2014-04-01T07:45:08.419021-04
# PortMulticastRcvPkts 100+	▶ 4/1/14 2014-04-01T07:45:08.418939-04
# PortMulticastXmitPkts 100+	▶ 4/1/14 2014-04-01T07:45:08.418855-04
# PortRcvData 100+	▶ 4/1/14 2014-04-01T07:45:08.418771-04
# PortRcvPkts 100+	▶ 4/1/14 2014-04-01T07:45:08.418687-04
# PortUnicastRcvPkts 100+	▶ 4/1/14 2014-04-01T07:45:08.418603-04
# PortUnicastXmitPkts 100+	▶ 4/1/14 2014-04-01T07:45:08.418519-04
# PortXmitData 100+	▶ 4/1/14 2014-04-01T07:45:08.418435-04
# PortXmitPkts 100+	▶ 4/1/14 2014-04-01T07:45:08.418351-04
# PortXmitWait 100+	▶ 4/1/14 2014-04-01T07:45:08.418267-04

detected fields

IB error counters monitoring

PortRcvErrors

3m ago



List Format 50 Per Page Prev

i	Time	Event
▶	4/1/14 7:45:08.414 AM	2014-04-01T07:45:08.414622-04:00 polaris ibqueryerrors-polaris: name=peername peerguid=0x50800200008db155 peerport=1 guid=0x21283a83dd0050 port=36 PortXmitData=16703417736 PortRcvData=16671701801 PortXmitPkts=349...

- Hide Fields All Fields
- Selected Fields
 - # host 1
 - # PortRcvErrors 37
 - # PortXmitWait 100+
 - # source 1
 - # sourcetype 1
 - # SymbolErrorCounter 36
- Interesting Fields
 - # date_hour 24
 - # date_mday 3
 - # date_minute 4
 - # date_month 2
 - # date_second 7
 - # date_wday 3
 - # date_year 1
 - # date_zone 1
 - # guid 1
 - # index 1
 - # linecount 1
 - # name 1
 - # peerguid 17
 - # peername 16
 - # peerport 5

peername X

16 Values, 100% of events Selected Yes No

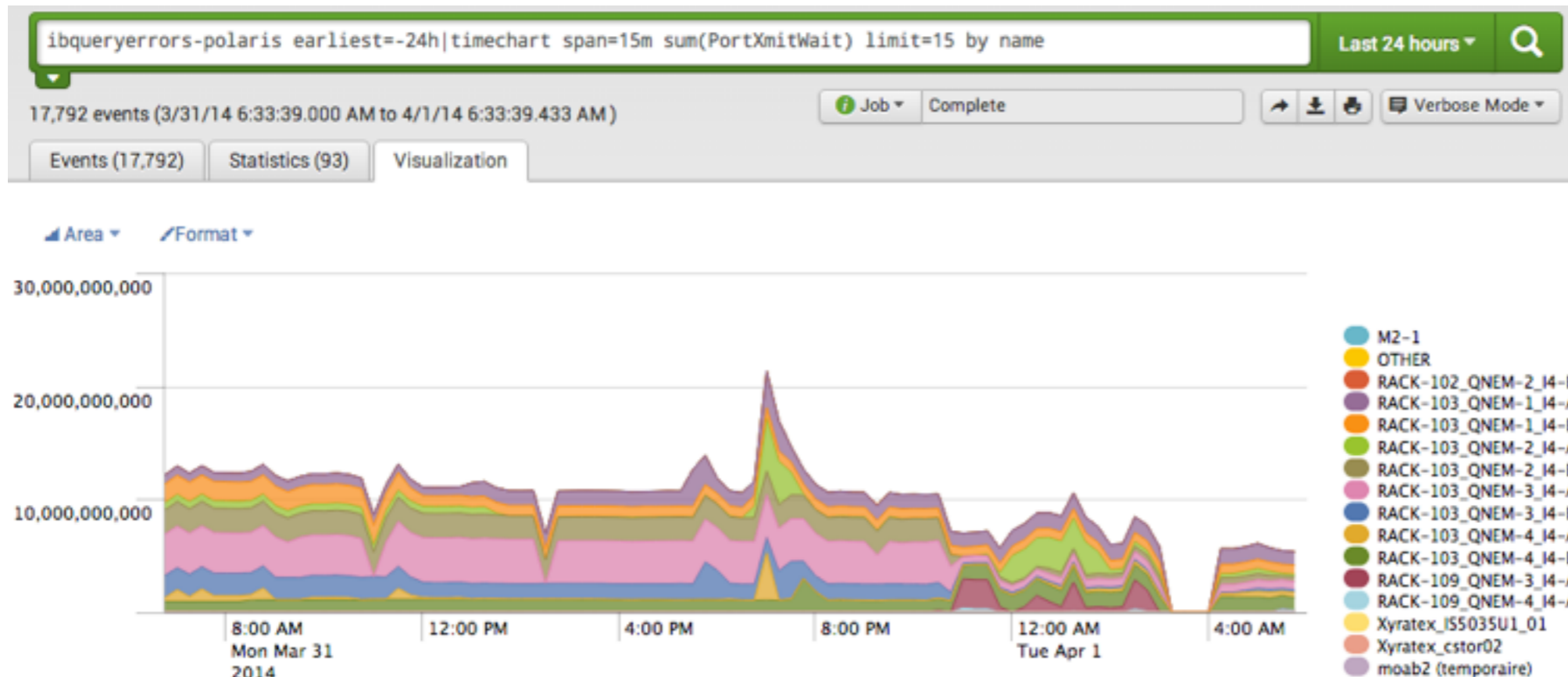
Reports

Top values	Top values by time	Rare values
Events with this field		
Top 10 Values	Count	%
M9-2_LC5_J4d	585	13.965%
M9-2_LC4_J4d	583	13.917%
M9-1_LC4_J4d	534	12.748%
M9-1_LC5_J4d	510	12.175%
localhost mlx4_0	293	6.994%
r103-n88	197	4.703%
r103-n89	197	4.703%
r107-n86	183	4.368%
r103-n95	176	4.201%
r103-n90	162	3.867%

IB

7:45:08.414 AM 2_LC5_I4d peerguid=0x0021283a842d15d2 peerport=36 guid=0x21283a...

PortXmitWait

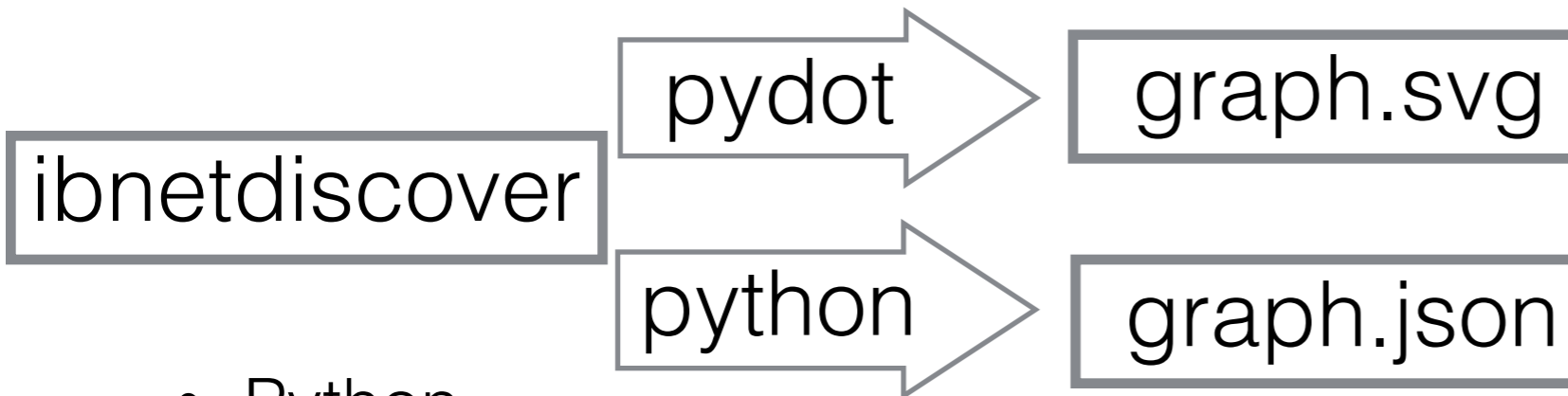


- Did not see this counter on our previous OFED 1.4.2 install.
- Starting to monitor this. Need to correlate with other information
 - PortXmitDiscards (severe congestion?)
 - Running jobs (scheduler events)

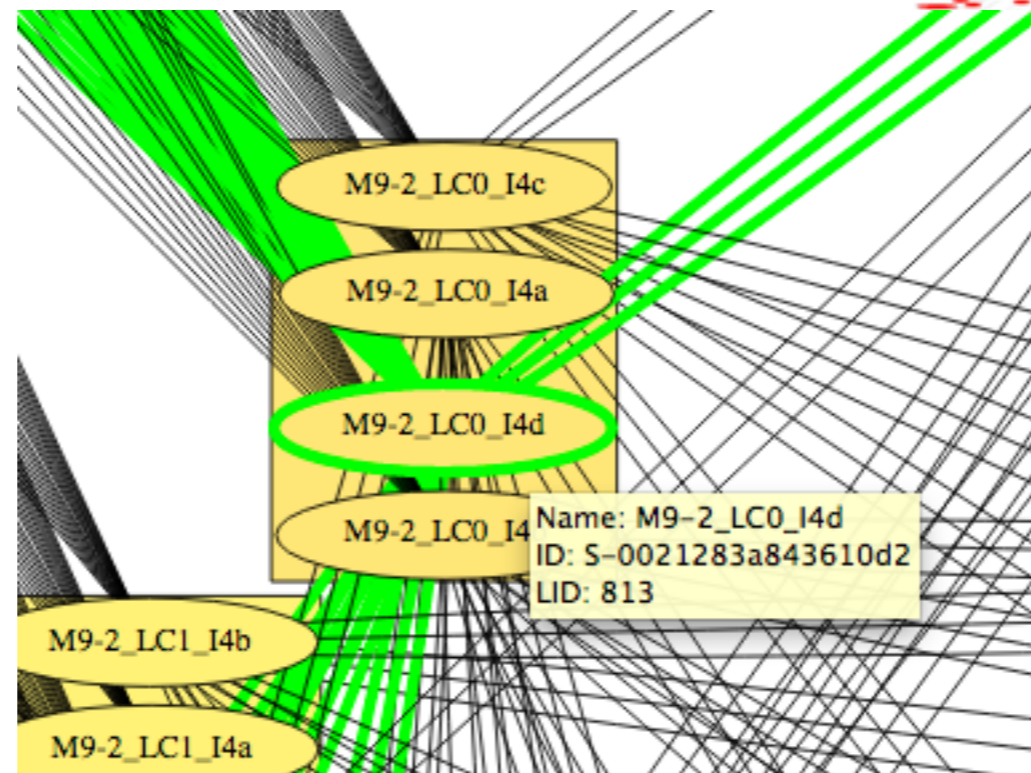
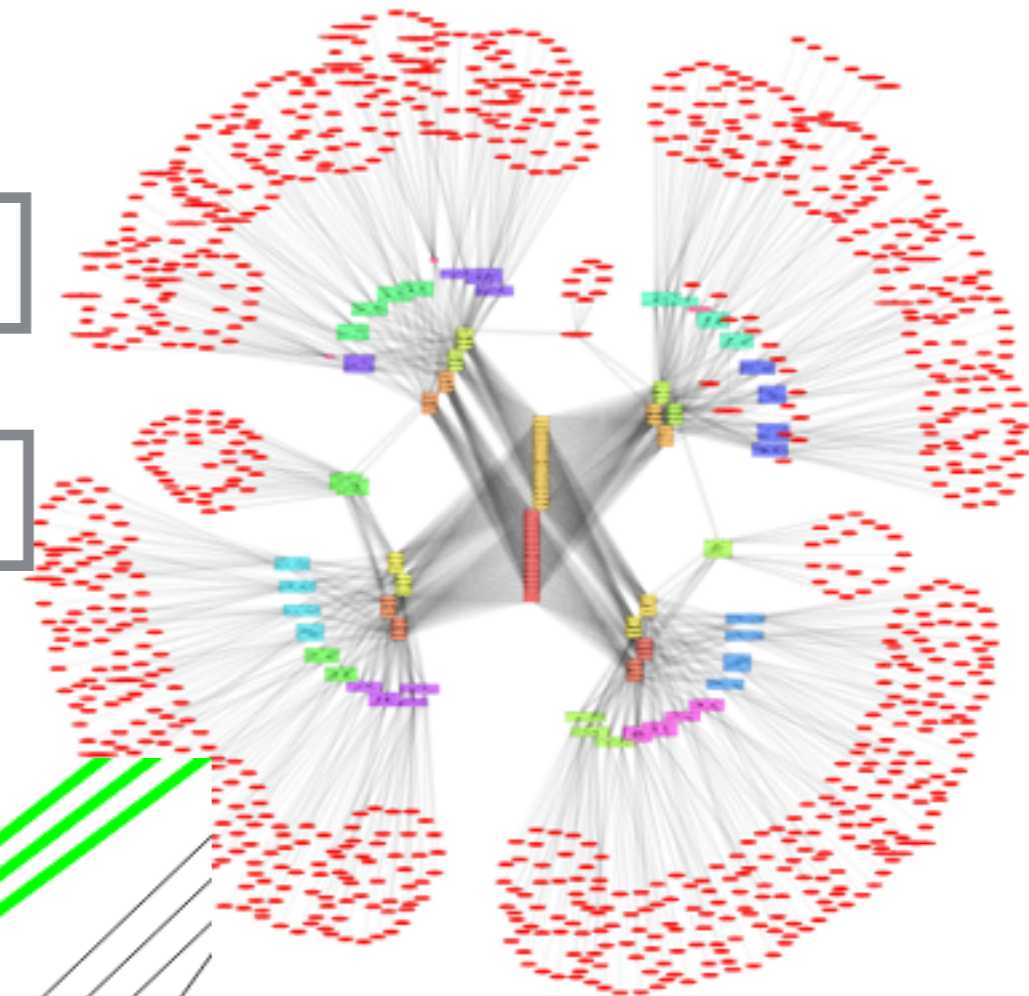
Visualization

- IBUG2013: Blake Caldwell@ORNL presented work in progress with pydot.
- Student internship project (François Blackburn)
- Explored d3js and graphviz/pydot. Decided on pydot (more control on layout) and JQuery SVG (interactivity)

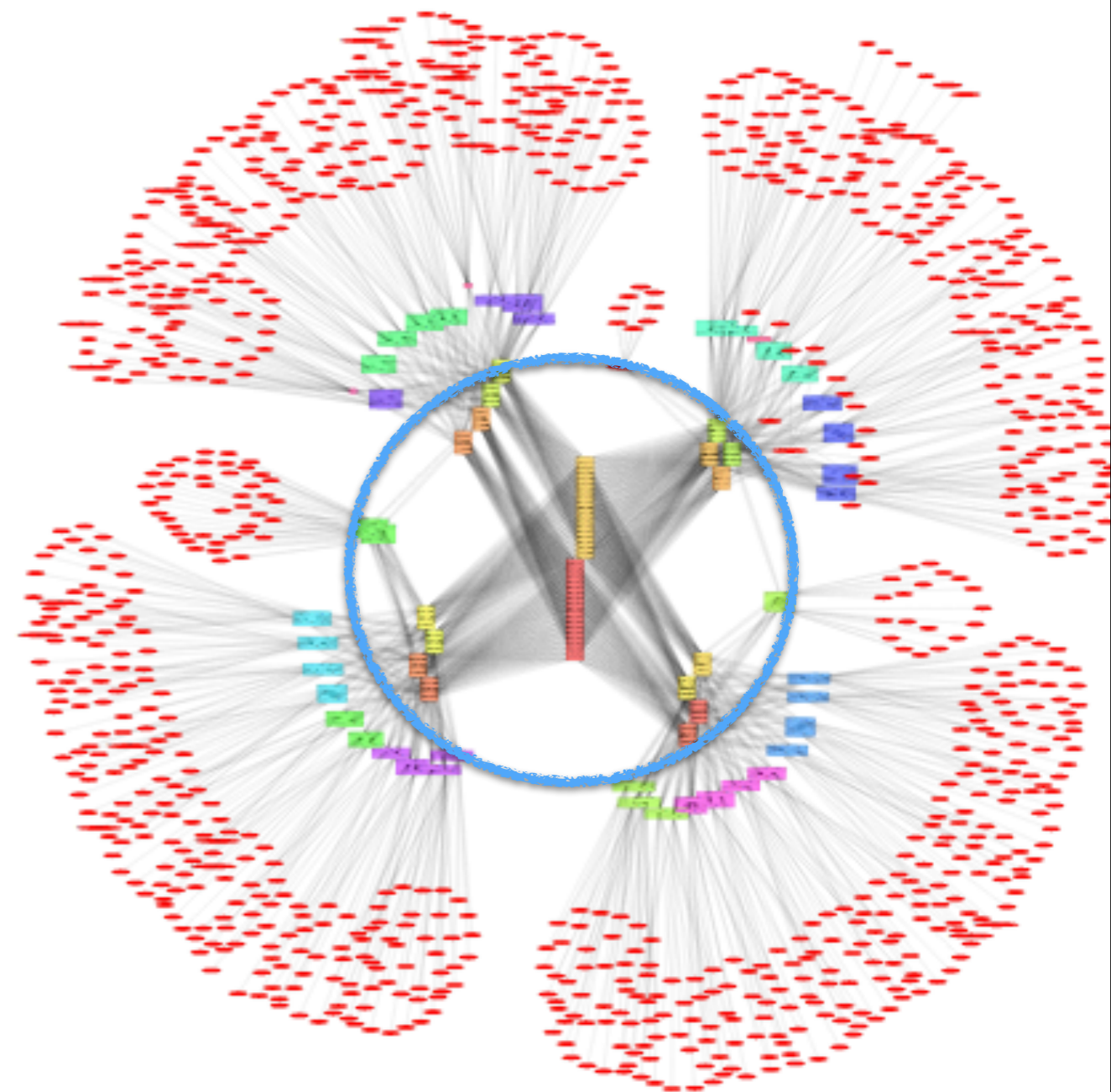
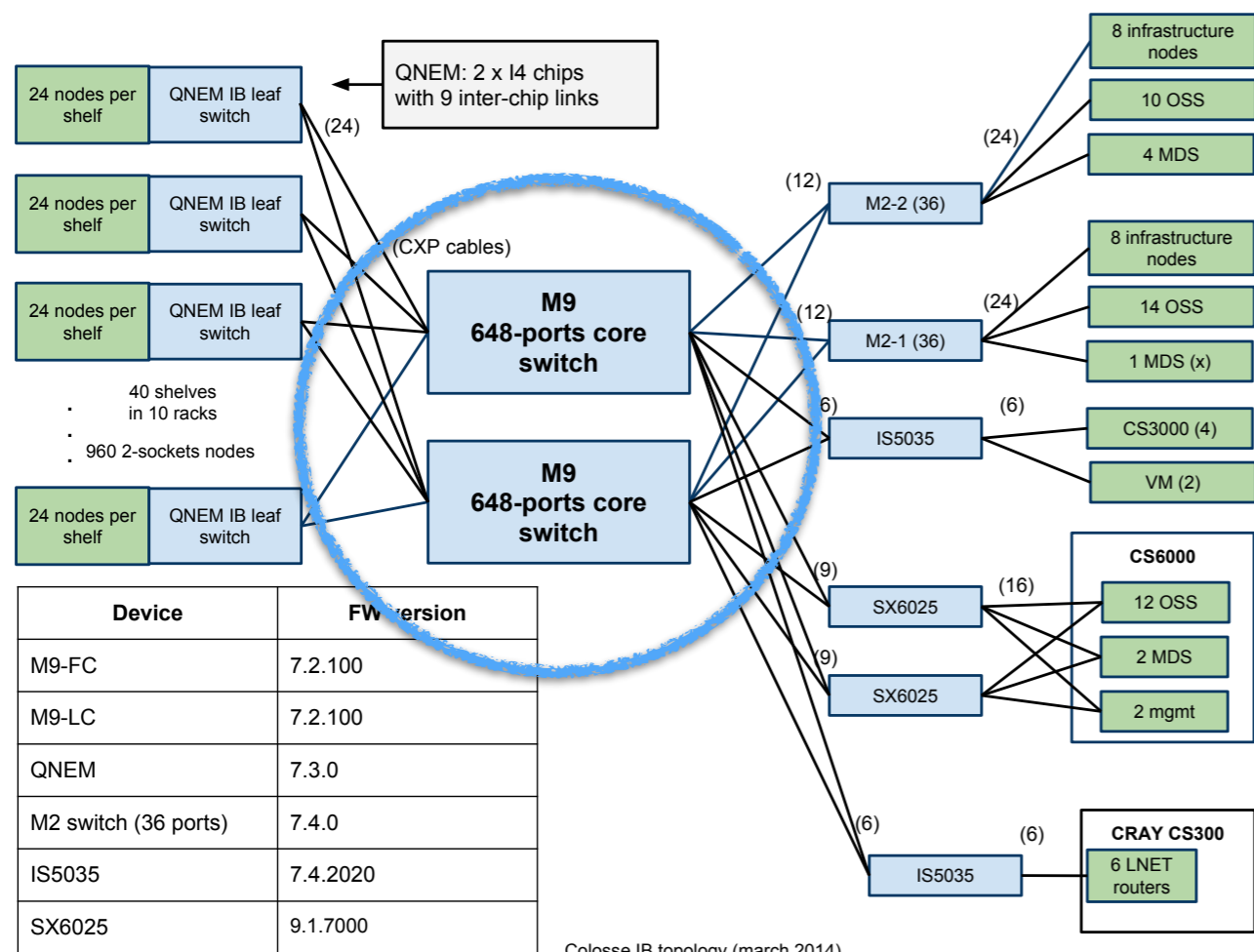
ibnetdiscover -> pydot



- Python
- pydot
- JQuery SVG



Detailed view of all links



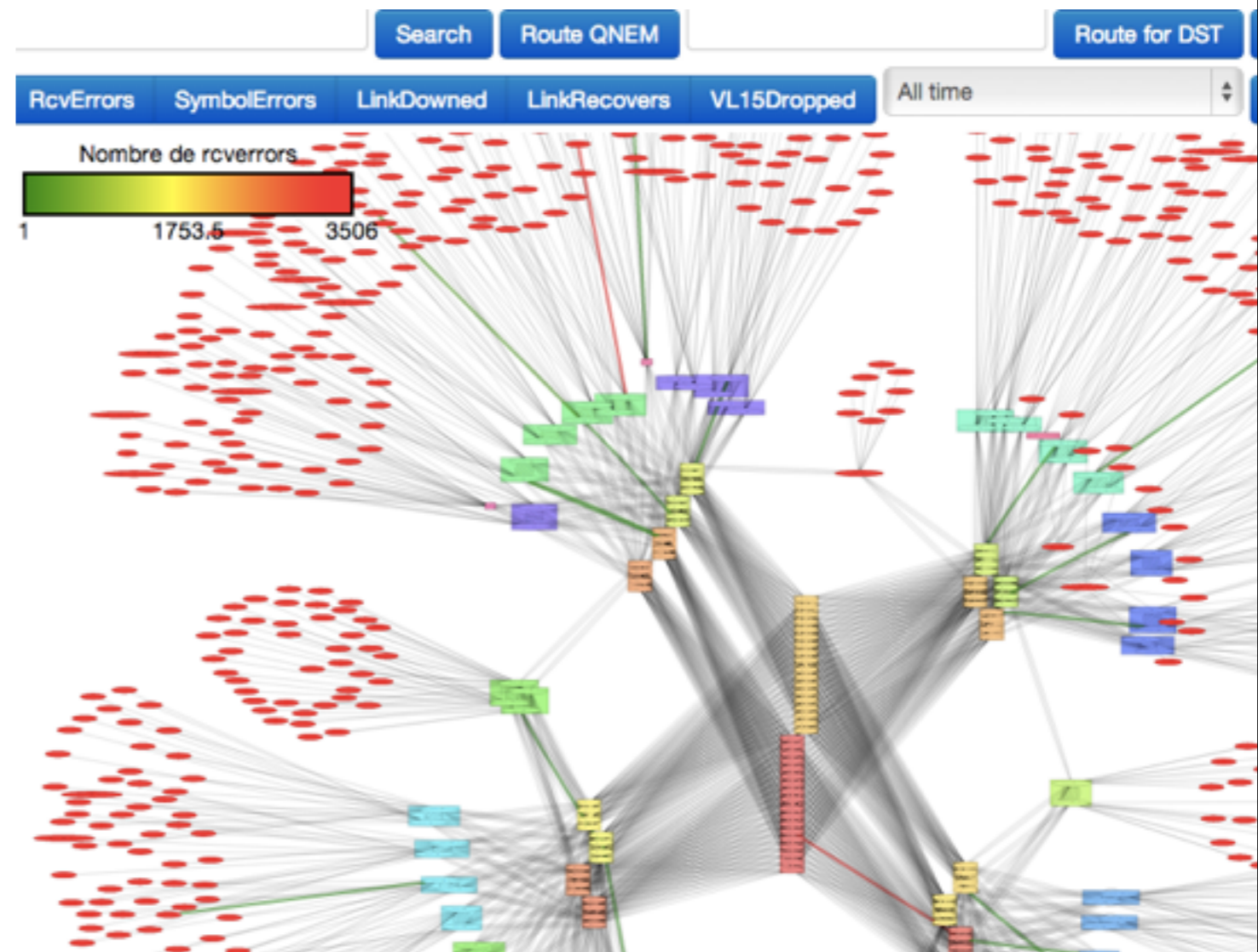
Overlaying error counters values

ibqueryerrors

python

iberrs.json

- Highlight links with specific errors reported
- Useful to see the overall distribution of errors.



To investigate

- Xmit and Rcv counters from all switches
 - How often can we query counters?
 - OpenSM perf. manager?
- Better opensm.log monitoring (syslog?)
- Correlate XmitWait with Discards and job info
- Visualization: Add LFTs to explore routing?

Questions?